



BUILT-IN MICROWAVES PROFESSIONAL & MASTERPIECE® SERIES

Thermador's trademark engineering brings practicality and elegance to your kitchen with our 10-power-level microwave ovens. Choose from traditional or convection models. The convection model combines a convection oven with a microwave oven to give you the best of both worlds. Use it in microwave mode for fast heating, or in convection mode as an extra oven. And to perfectly integrate each model with your kitchen, we offer a handsome 27-inch and 30-inch stainless steel trim kit.

Thermador's Built-In MicroDrawer® Microwave with a spacious 1.2 cu. ft. capacity and 950 Watts of power can be conveniently installed below a countertop for easy access. The Perfect Flush Installation blends beautifully with your cabinetry.

BUILT-IN MICROWAVES FEATURES & BENEFITS



CONVECTION TECHNOLOGY

Hot air circulates within the unit, so you enjoy more even heating and faster cooking results without any loss of flavor.

SENSOR COOKING

The microwave oven uses humidity sensing to achieve perfect results with minimal user programming.

KEEP WARM

Keep food warm for up to 30 minutes after cooking.

QUICK DEFROST

Defrost foods such as meat, poultry and seafood simply by entering the weight.

QUICK MINUTE

Set or add cooking time in 1 minute increments up to 10 minutes.

PERFECT FLUSH INSTALLATION*

The Thermador Built-in MicroDrawer® Microwave can be installed flush in a standard depth cabinet.

TOUCH "OPEN" AND "CLOSE"*

The handle-free style of the Thermador Built-in MicroDrawer® Microwave allows the drawer to be opened and closed with the touch of a button.

* Only the MD24JS



10 POWER LEVELS

When microwaving, enjoy the ultimate in control and flexibility for perfect results every time.

BUILT-IN MICROWAVES PLANNING INFORMATION

MODEL OPTIONS

There are two Thermador Built-in Microwaves to choose from — traditional and convection. 27-inch and 30-inch stainless steel trim kits are available for each. You can also choose a Thermador Built-in MicroDrawer®.

INSTALLATION CONSIDERATIONS (MBES/MCES MODELS)

The information in this design guide provides key features, product dimensions, cutouts and installation specifications. Before installing a Thermador Microwave oven, be sure to verify the cabinet dimensions and electrical connections. Also, always consult the installation manual packed with the product for complete details before installing.

It is the responsibility of the owner and the installer to determine if additional requirements and/or standards apply to specific installations.

MBES/MCES models must be used in conjunction with a 27-inch or 30-inch microwave trim kit.

The microwave oven can be installed into a cabinet or wall by itself, or above any Thermador Built-in Oven.

To reduce the risk of fire and electric shock, install microwave at least $\frac{3}{4}$ " above designated oven.

Do not block air vents. If they are blocked during operation, the oven may be overheated and damaged. If the oven overheats, a thermal safety device will turn the oven off. The oven will remain inoperable until it has cooled.

Do not place the microwave near a hot, damp surface such as a gas or electric range, dishwasher, or in an excessively humid room.



WARRANTY

Limited warranty parts and labor (2 year). See page 306 for additional warranty details.



Microwaves are UL approved.

ELECTRICAL SPECIFICATIONS

The microwave oven must be on a separate circuit. No other appliance should share the circuit with the microwave oven. If it does, the branch circuit fuse may blow or the circuit breaker may trip, or the food may cook slower than recommended.

This appliance must be grounded. It is equipped with a cord having a grounding wire with a grounding plug. The plug must be plugged into at least a 20 Amp, 120 Volt, 60 Hz 3-wire, grounded outlet that is properly installed.

The voltage used must be the same as specified on this microwave oven (120V, 60Hz). Using a higher voltage is dangerous and may result in a fire or oven damage. Using a lower voltage will cause slow cooking.

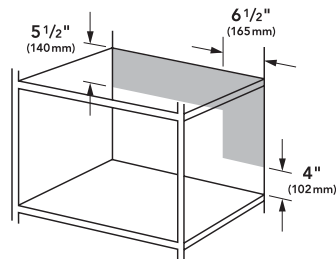
Do not use an extension cord. If the power supply cord is too short, have a qualified electrician or serviceman install an outlet near the appliance.

MODEL	REQUIRED CIRCUIT BREAKER
	240V, 60 Hz
MBES	20 Amp
MCES	20 Amp
MD24JS	15 Amp

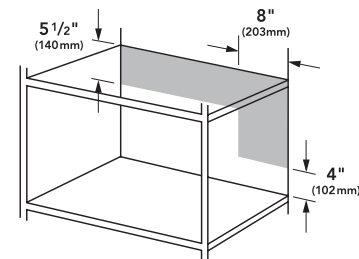
ELECTRICAL LOCATION (MBES/MCES MODELS)

The outlet must be properly grounded in accordance with all applicable codes. It can be installed in the back wall directly behind the oven. The outlet should be located anywhere within the shaded area.

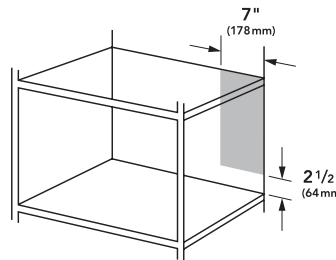
27-Inch Traditional



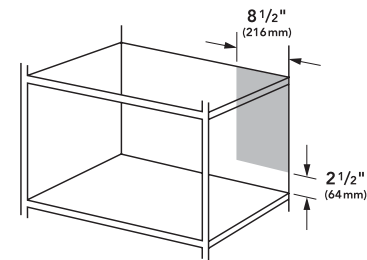
30-Inch Traditional



27-Inch Convection



30-Inch Convection



BUILT-IN MICROWAVES TRADITIONAL

MBES



MBES

SPECIFICATIONS

Overall Microwave Width	23 7/8"
Overall Microwave Height	14"
Overall Microwave Depth	19 7/16"
Cutout Width (27" Trim Kit)	25 7/16"
Cutout Width (30" Trim Kit)	28 7/16"
Cutout Height	19 7/8"
Cutout Depth	21"
27" Trim Kit (Overall W x H x D)	26 3/4" x 20 1/2" x 1 1/2"
30" Trim Kit (Overall W x H x D)	29 3/4" x 20 1/2" x 1 1/2"
Max. Microwave Power	1,200 Watts
Total Watts	1,460
Electrical Supply	120V/60Hz
Required Circuit Breaker	20 Amp
Power Cord Length	41 5/16"
Power Cord Included	120V-3-Wire
Interior Dimensions (W x H x D)	18 7/16" x 10 15/16" x 18 1/2"
Shipping Weight (lbs.)	40

MBES

PERFORMANCE

- Innovative Microwave Inverter technology offers consistent cooking performance
- 1,200 Watts Microwave power
- 10 Microwave power levels
- Automatic Beverages Reheat – automatically determines cooking level and time
- Sensor cooking programs measure humidity and adjust cooking level and cooking time
- Popcorn program
- Quick Defrost
- Timer offers automatic delay start mode
- Keep Warm mode
- Quick Minute conveniently adds cooking time
- Spacious 2.1 cu. ft. cavity
- 16 1/2" recessed glass turntable

DESIGN

- Built-in Microwave is the perfect companion for any Thermador Wall Oven
- Chiseled and bold Thermador design
- Available with 27" or 30" Trim Kit for a sleek built-in look
- Premium glass touch control
- Blue digital display with scrolling text

ACCESSORIES



MBT27JS
27-Inch Trim Kit



MBT30JS
30-Inch Trim Kit

INSTALLATION OPTIONS

WALL-MOUNTED OR CABINET INSTALLATION

A Thermador Microwave may be installed into a cabinet or wall by itself, or above any Thermador Built-in Oven.

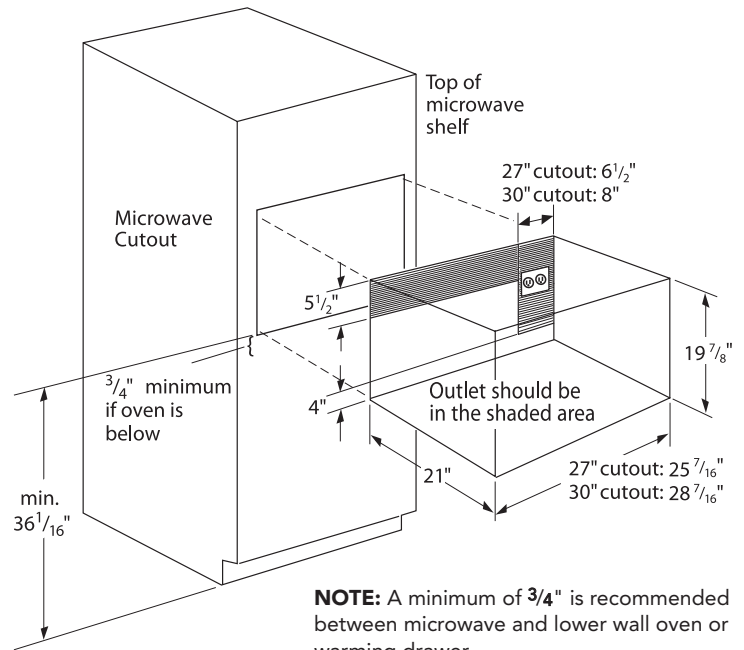
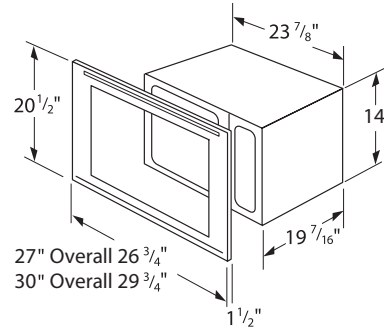
A Thermador Microwave may also be installed above any Thermador Warming Drawer.

To reduce the risk of fire and electric shock, install microwave at least $\frac{3}{4}$ " above designated oven or warming drawer.

IMPORTANT

MBES model must be used in conjunction with a 27-inch or 30-inch microwave trim kit.

MICROWAVE OVEN AND CUTOUT DIMENSIONS



BUILT-IN MICROWAVES CONVECTION

MCES



MCES

SPECIFICATIONS

Overall Microwave Width	23 7/8"
Overall Microwave Height	14 13/16"
Overall Microwave Depth	19 5/16"
Cutout Width (27" Trim Kit)	25 7/16"
Cutout Width (30" Trim Kit)	28 7/16"
Cutout Height	19 7/8"
Cutout Depth	21"
27" Trim Kit (Overall W x H x D)	26 3/4" x 20 1/2" x 1 1/2"
30" Trim Kit (Overall W x H x D)	29 3/4" x 20 1/2" x 1 1/2"
Max. Microwave Power	1,000 Watts
Total Watts	1,500
Electrical Supply	120V/60Hz
Required Circuit Breaker	20 Amp
Power Cord Length	41 5/16"
Power Cord Included	120V-3-Wire
Interior Dimensions (W x H x D)	16 1/4" x 9 1/2" x 16 13/16"
Shipping Weight (lbs.)	40

MCES

PERFORMANCE

- Automatic Convection Bake programs
- Innovative Microwave Inverter technology offers consistent cooking performance
- 1,000 Watts Microwave power
- 10 Microwave power levels
- Sensor cooking programs measure humidity and adjust cooking level and cooking time
- Popcorn program
- Quick Defrost
- Timer offers automatic delay start mode
- Keep Warm mode
- Quick Minute conveniently adds cooking time
- 1.5 cu. ft. Stainless Steel cavity
- 15-inch recessed ceramic turntable

DESIGN

- Built-in Convection Microwave is the perfect companion for any Thermador Wall Oven
- Chiseled and bold Thermador design
- Available with 27" or 30" Trim Kit for a sleek built-in look
- Premium glass touch control
- Blue digital display with scrolling text

ACCESSORIES



MCT27JS
27-Inch Trim Kit



MCT30JS
30-Inch Trim Kit

INSTALLATION OPTIONS

WALL-MOUNTED OR CABINET INSTALLATION

A Thermador Microwave may be installed into a cabinet or wall by itself, or above any Thermador Built-in Oven.

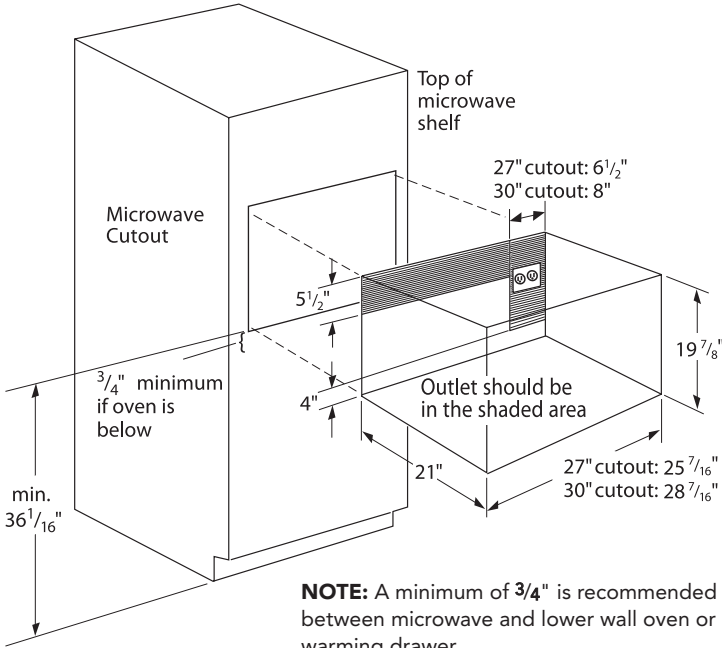
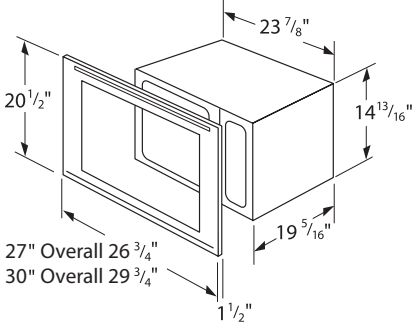
A Thermador Microwave may also be installed above any Thermador Warming Drawer.

To reduce the risk of fire and electric shock, install microwave at least $\frac{3}{4}$ " above designated oven or warming drawer.

IMPORTANT

MCES models must be used in conjunction with a 27-inch or 30-inch microwave trim kit.

MICROWAVE OVEN AND CUTOUT DIMENSIONS



BUILT-IN MICROWAVES

24-INCH MICRODRAWER® MICROWAVE

MD24JS



MD24JS

MD24JS

PERFORMANCE

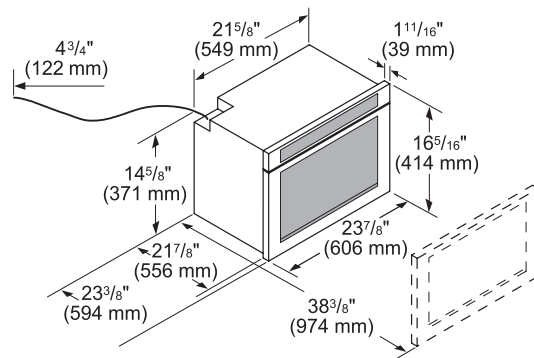
- Spacious 1.2 cu. ft. cavity fits a 20 oz. cup
- Microwave interior accommodates a 13" x 9" pan
- 950 Watts Microwave power
- 10 Cooking Modes (incl. Melt, Soften, Keep Warm)
- Sensor Cooking programs measure humidity and adjust cooking level and cooking time
- Touch "open" and "close"

DESIGN

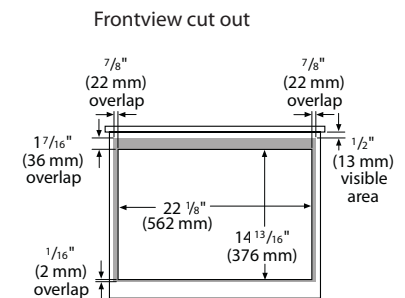
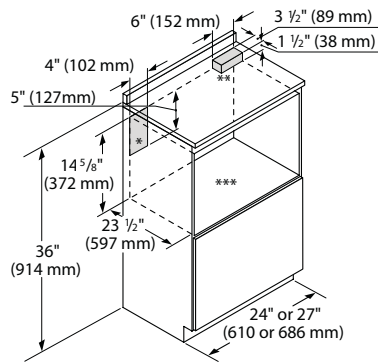
- Perfect Flush installation
- Hidden Vent
- Premium glass touch control
- Blue digital display with scrolling text

SPECIFICATIONS

Overall Microwave Width	23 7/8"
Overall Microwave Height	16 5/16"
Overall Microwave Depth	23 3/8"
Standard Installation:	
Cutout Width	22 1/8"
Cutout Height	14 13/16"
Cutout Depth	23 1/2"
Minimum Overlap – Sides	7/8"
Minimum Overlap – Top	1 7/16"
Minimum Overlap – Bottom	1/16"
Cabinet Base Support Requirements (lbs.)	100
Installation Below an Oven	Yes – Clearance of at least 2"
Flush Installation:	
Cutout Width	24 3/16"
Cutout Height	16 5/8"
Cutout Depth	23 1/2"
Minimum Overlap – Sides	N/A
Minimum Overlap – Top	N/A
Minimum Overlap – Bottom	N/A
Cabinet Base Support Requirements (lbs.)	100
Installation Below an Oven	Yes
Max. Microwave Power	950 Watts
Electrical Supply	120V, 60Hz
Required Circuit Breaker	15 Amp
Power Cord Length	48", 3-Wire
Power Cord Included	Yes
Interior Dimensions (W x H x D)	17 5/16" x 7 1/8" x 16 9/16"
Shipping Weight (lbs.)	90

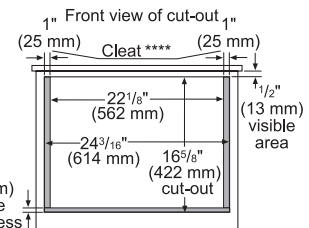
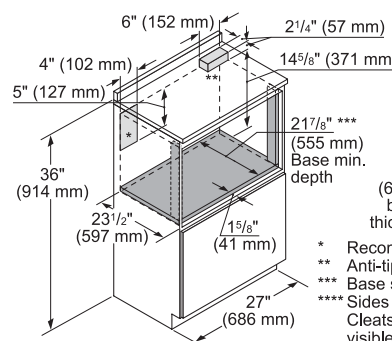


STANDARD INSTALLATION



- * Suggested location of electrical outlet
- ** Anti-Tip Block
- *** Base should support up to 100 lbs

FLUSH INSTALLATION



- * Recommended location of electrical outlet
- ** Anti-tip block
- *** Base should support up to 100 lbs
- **** Sides should be finished and extend back to cleat. Cleats should also be finished, as they may be visible after installation.

BUILT-IN MICROWAVES 24-INCH MICRODRAWER® MICROWAVE

MD24JS

BUILT-IN MICROWAVES



MODELS SHOWN: PRD366JGU PRO GRAND® RANGE, PH36GS HOOD AND MD24JS MICRODRAWER® MICROWAVE