



MODELS SHOWN: T24IW800SP 24-INCH WINE PRESERVATION COLUMNS WITH TFL24IW800 FLAT STAINLESS STEEL PANELS AND PROFESSIONAL HANDLES

REFRIGERATION FREEDOM® COLLECTION

Freedom to customize. Freedom to go modular. Freedom to integrate your refrigeration with the design of your kitchen. That's what makes Thermador Freedom® Refrigeration the leader in true flush, tall door design. Our refrigeration solutions integrate seamlessly into your kitchen design, with custom fronts and concealed venting grille.

Our portfolio of custom panel models—available in 18", 24", 30" and 36" widths—offers the most design choices in the industry, allowing you to configure your own unique combination of bottom freezers, fresh food, freezer and wine preservation columns. And nothing beats the convenience of our pre-assembled bottom freezers, ready to install straight from the factory. Equipped with flat stainless steel panels and either Professional or Masterpiece® Handles set off by a removable stainless steel frame, these units deliver perfect built-in fit and aesthetics in a 24" or 25" deep cabinet.

True to the Thermador heritage with a range of state-of-the-art functionality and features, the Freedom® Refrigeration collection gives you full control to design your personal culinary studio.

FREEDOM® COLLECTION DESIGN INSPIRATION

The Thermador Freedom® Collection facilitates a complete range of new and unique possibilities for your cutting-edge kitchen design. Choose models with custom panels for fully flush integration into the surrounding kitchen cabinetry or pre-assembled bottom freezers for popular, effortless installations.

All models are stand-alone independent units—use your imagination to arrange them into your kitchen as desired—either as single columns or in a wide array of possible side-by-side combinations. It's complete freedom of choice—and freedom of kitchen design.



Side-by-Side T18IW800SP 18-Inch Wine Preservation Columns With TCH18IW800 Chiseled Stainless Steel Panels and Masterpiece® Handles. Stand-alone T30IF800SP 30-Inch Freezer Column and T30IR800SP 30-Inch Refrigerator Column, each with TCH30IR800 Chiseled Stainless Steel Panels and Masterpiece® Handles.



T36IT800NP French Door Bottom Freezer with TCH36IT800 Chiseled Stainless Steel Panels, Professional Handles and FRAMEKIT10 Stainless Steel Frame.



Stand-alone T24IR800SP 24-Inch Refrigerator Column with TFL24IR800 Flat Stainless Steel Panel and Stand-alone T24IW800SP 24-Inch Wine Preservation Column with Custom Panel, each with Professional Handles.



T24IW800SP 24-Inch Wine Preservation Column and T36IB800SP 36-Inch Bottom Freezer each with Custom Panels and Handles, Separated by a Partition.

FREEDOM® COLLECTION, FRESH FOOD COLUMN FEATURES & BENEFITS



INTERIOR DESIGN

Our Freedom® Fresh Food Collection is beautifully designed to offer a clean, spacious interior look, while silver trim adds a luxurious accent. Controls feature sleek silver buttons, fully integrated into the interior design.

INTERIOR RACK SYSTEM

The freedom to customize storage like never before with full-length metal cantilever racking and fully flexible rack positions.

PERFECT INSTALLATION

Our door panel design allows for perfect adjustability. Every door panel can be adjusted horizontally, vertically, forward and backward to ensure an ultra-flush installation.

DEDICATED EVAPORATOR & COMPRESSOR SYSTEMS

Each column has its own evaporator and compressor to eliminate odor transfer, keep food fresher, longer, with better humidity and air flow.



THEATER LED LIGHTING

Theater LED lighting illuminates stored items from both the front and the sides—so that all food can be seen—and nothing remains overlooked or forgotten. Lighting fades in when unit is opened for a luxurious effect.



DOOR STORAGE

Maximize shelf space with large door bins, multiple configuration options, and gallon door storage. Innovative “cool door” design allows air to circulate behind door bins, keeping them as cool as interior shelving.



CLIMATE-CONTROLLED DRAWERS

Ensure the perfect storage and preservation of meats, fish and produce with dedicated convertible temperature drawers.



FULL-EXTENSION DRAWERS

Full-extension drawers offer convenient access. Drawers can even be opened with a 90° door opening, accommodating many kitchen designs. Drawer rails are designed to glide perfectly even when fully loaded.



FREEDOM HINGE

Engineered specifically for the Freedom® Collection, all units feature a heavy-duty hinge that can open to 115°, allowing full-height, integrated doors and Truly Flush Mounted™ installation without sacrificing accessibility. The hinge is able to support virtually any custom wood panel. See page 244 for details.

FREEDOM® COLLECTION, FREEZER COLUMN FEATURES & BENEFITS



INTERIOR DESIGN

Our Freedom® Freezer Collection is beautifully designed to offer a clean, spacious interior look, while silver trim adds a luxurious accent. Controls feature sleek silver buttons, fully integrated into the interior design.

INTERIOR RACK SYSTEM

The freedom to customize storage like never before with full-length metal cantilever racking and fully flexible rack positions.

PERFECT INSTALLATION

Our door panel design allows for perfect adjustability. Every door panel can be adjusted horizontally, vertically, forward and backward to ensure an ultra-flush installation.

DEDICATED EVAPORATOR & COMPRESSOR SYSTEMS

Each column has its own evaporator and compressor to eliminate odor transfer, keep food fresher, longer, with better humidity and air flow.

FREEDOM HINGE

Engineered specifically for the Freedom® Collection, all units feature a heavy-duty hinge that can open to 115°, allowing full-height, integrated doors and Truly Flush Mounted™ installation without sacrificing accessibility. The hinge is able to support virtually any custom wood panel. See page 244 for details.



THEATER LED LIGHTING

Theater LED lighting illuminates stored items from both the front and the sides—so that all food can be seen—and nothing remains overlooked or forgotten. Lighting fades in when unit is opened for a luxurious effect.



FULL-WIDTH ICE DRAWER

Ultra capacity ice drawer with flexible ice bin allows you to place the bin wherever you want it on the left or right hand side. Entertaining? Simply remove the ice bin and use the entire drawer for your ice—stores up to 10 pounds.



HIDDEN ICE MAKER

Hidden compartment houses the ice maker in an inconspicuous design.



FULL-EXTENSION DRAWERS AND OVERSIZED FREEZER BASKETS

Full-extension drawers offer convenient access. Drawers can even be opened with a 90° door opening, accommodating many kitchen designs. Drawer rails are designed to glide perfectly even when fully loaded.



STAINLESS STEEL EXTERIOR ICE & WATER DISPENSER

An industry first: our freezer units offer a fully stainless steel exterior ice and water dispenser, integrating perfectly with the Thermador stainless steel door panels, as well as all other Thermador stainless steel products.



FREEDOM® COLLECTION, BOTTOM FREEZER FEATURES & BENEFITS



INTERIOR DESIGN

Our Freedom® Bottom Freezer Collection is beautifully designed to offer a clean, spacious interior look, while silver trim adds a luxurious accent. Controls feature sleek silver buttons, fully integrated into the interior design.

INTERIOR RACK SYSTEM

The freedom to customize storage like never before with full-length metal cantilever racking and fully flexible rack positions.

DUAL EVAPORATOR & DUAL COMPRESSOR SYSTEMS

Each cooling compartment—refrigerator and freezer—has its own evaporator and compressor to eliminate odor transfer, keep food fresher, longer, with better humidity and air flow.

DOOR STORAGE

Maximize shelf space in bottom freezers with large door bins, multiple configuration options, and gallon door storage.



FULL-EXTENSION DRAWERS AND FREEZER BASKETS

Full-extension drawers offer convenient access. Drawers can even be opened with a 90° door opening, accommodating many kitchen designs. Drawer rails are designed to glide perfectly even when fully loaded.

THEATER LED LIGHTING

Theater LED lighting illuminates stored items from both the front and the sides—so that all food can be seen—and nothing remains overlooked or forgotten. Lighting fades in when unit is opened for a luxurious effect.

DELI DRAWER

Complement market-fresh meats, fish and dairy products with a perfectly chilled full-extension deli drawer.

FREEDOM HINGE

Engineered specifically for the Freedom® Collection, all units feature a heavy-duty hinge that can open to 115°, allowing full-height, integrated doors and Truly Flush Mounted™ installation without sacrificing accessibility. The hinge is able to support virtually any custom wood panel. See page 244 for details.

PERFECT INSTALLATION

Our door panel design allows for perfect adjustability. Every door panel can be adjusted horizontally, vertically, forward and backward to ensure an ultra-flush installation.



FREEDOM® COLLECTION, WINE PRESERVATION FEATURES & BENEFITS



WINE PRESERVATION COLUMNS

Our Freedom® Wine Preservation Collection redefines the home wine cellar. Perfect for storing and serving at a dinner party or aging the choicest bottles to perfection, this appliance is the wine connoisseur's newest best friend.

THEATER LED LIGHTING

Theater LED lighting illuminates each bottle of a precious wine collection. Lighting fades in when unit is opened for a luxurious effect.



DUAL INDEPENDENT TEMPERATURE AND HUMIDITY CONTROL

Store any wine collection at the perfect temperature and humidity. Our electronic control board allows you to adjust each zone independently—and keeps wines perfectly preserved.



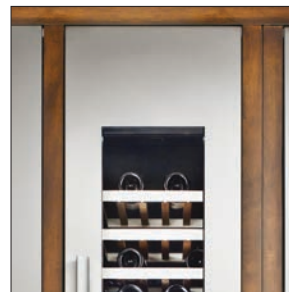
5-BOTTLE PRESENTER

Inside the appliance an added aluminum 5-bottle presenter ensures the best bottles are center stage. Remove it to double as a handy bar or tabletop presentation option.



FREEDOM HINGE

Engineered specifically for the Freedom® Collection, all units feature a heavy-duty hinge that can open to 115°, allowing full-height, integrated doors and Truly Flush Mounted™ installation without sacrificing accessibility. The hinge is able to support virtually any custom wood panel. See page 244 for details.



PERFECT INSTALLATION

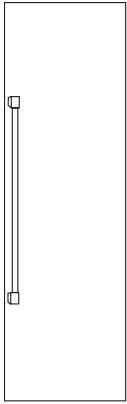
Our door panel design allows for perfect adjustability. Every door panel can be adjusted horizontally, vertically, forward and backward to ensure an ultra-flush installation.

FULL-EXTENSION EXOTIC WOOD RACKS

Our exquisitely designed wine storage features convenient rack spacing and flexible storage options. Luxurious, full-extension exotic wood racks enhance the experience of pulling out your favorite vintage.

FREEDOM® COLLECTION APPLIANCE OVERVIEW

FRESH FOOD COLUMNS



T24IR800SP

24-Inch

Reversible
Door Swing

Build Your
Custom Column



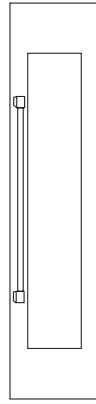
T30IR800SP

30-Inch

Reversible
Door Swing

Build Your
Custom Column

WINE PRESERVATION COLUMNS

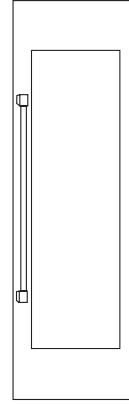


T18IW800SP

18-Inch

Reversible
Door Swing

Build Your
Custom Column



T24IW800SP

24-Inch

Reversible
Door Swing

Build Your
Custom Column

★ PLANNING TIP

A Frame Kit enables installation of all Freedom Columns in 24-inch deep cutouts. See page 245 for details.

FREEZER COLUMNS



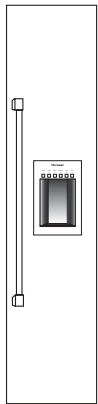
T18ID800LP

18-Inch

External
Ice & Water
Dispenser

Left-Hand
Door Swing

Build Your
Custom Column



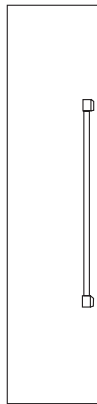
T18ID800RP

18-Inch

External
Ice & Water
Dispenser

Right-Hand
Door Swing

Build Your
Custom Column



T18IF800SP

18-Inch

Reversible
Door Swing

Build Your
Custom Column



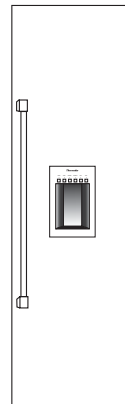
T24ID800LP

24-Inch

External
Ice & Water
Dispenser

Left-Hand
Door Swing

Build Your
Custom Column



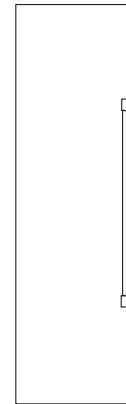
T24ID800RP

24-Inch

External
Ice & Water
Dispenser

Right-Hand
Door Swing

Build Your
Custom Column

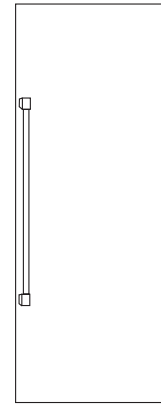


T24IF800SP

24-Inch

Reversible
Door Swing

Build Your
Custom Column



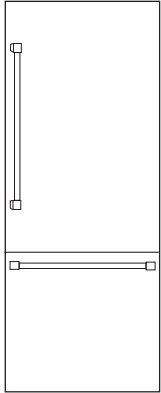
T30IF800SP

30-Inch

Reversible
Door Swing

Build Your
Custom Column

BOTTOM FREEZERS

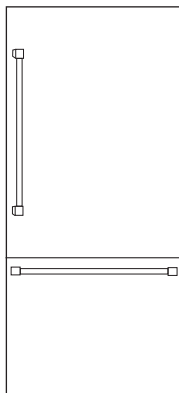


T30IB800SP

30-Inch
 2-Door

Reversible
 Door Swing

Build Your
 Custom Column

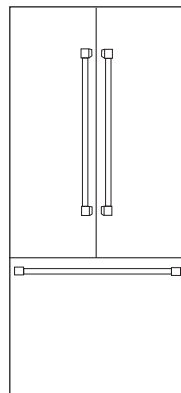


T36IB800SP

36-Inch
 2-Door

Reversible
 Door Swing

Build Your
 Custom Column

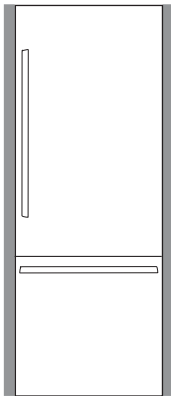


T36IT800NP

36-Inch
 French Door

Build Your
 Custom Column

PRE-ASSEMBLED BOTTOM FREEZERS*



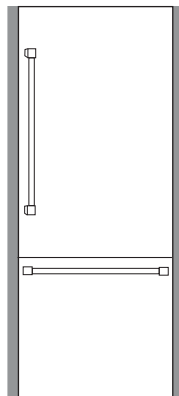
T30BB810SS

30-Inch
 2-Door

Reversible
 Door Swing

Flat Stainless
 Steel Panels

Masterpiece®
 Handles



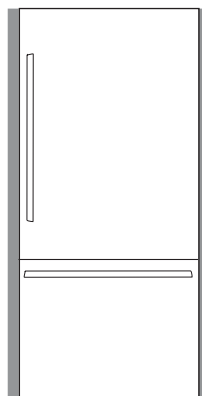
T30BB820SS

30-Inch
 2-Door

Reversible
 Door Swing

Flat Stainless
 Steel Panels

Professional
 Handles



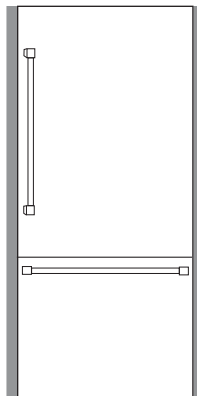
T36BB810SS

36-Inch
 2-Door

Reversible
 Door Swing

Flat Stainless
 Steel Panels

Masterpiece®
 Handles



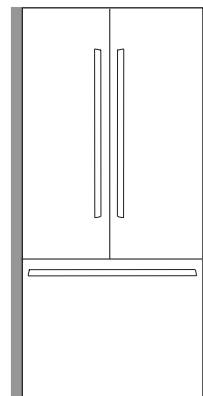
T36BB820SS

36-Inch
 2-Door

Reversible
 Door Swing

Flat Stainless
 Steel Panels

Professional
 Handles

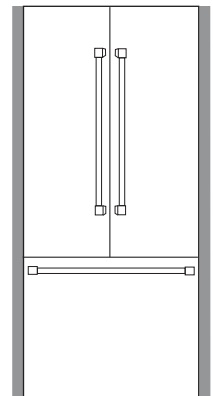


T36BT810NS

36-Inch
 French Door

Flat Stainless
 Steel Panels

Masterpiece®
 Handles



T36BT820NS

36-Inch
 French Door

Flat Stainless
 Steel Panels

Professional
 Handles

*Pre-assembled bottom freezers can be installed flush in 25-inch deep cutouts or with included frame in 24-inch deep cutouts.

FREEDOM® COLLECTION

BUILDING YOUR CUSTOM COLUMN

1

CHOOSE UNIT

2

CHOOSE PANEL

(All units are panel-ready for custom panel installation)

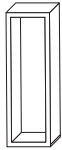
3

CHOOSE HANDLE AND OPTIONAL FRAME

NOTE: Choose one handle for each column, 2 handles for each 2-door bottom freezer and 3 handles for each French Door bottom freezer.

FRESH FOOD COLUMN—FULLY FLUSH COLLECTION

24"



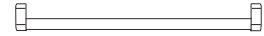
T24IR800SP
Reversible Swing
Custom Column



TFL24IR800
Flat Stainless Steel



TCH24IR800
Chiseled Stainless Steel

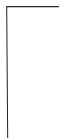


PR36HNDL10
36-Inch Professional Handle
Coordinates with Thermador Professional® Series appliances

30"



T30IR800SP
Reversible Swing
Custom Column



TFL30IR800
Flat Stainless Steel



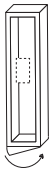
TCH30IR800
Chiseled Stainless Steel



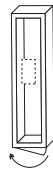
MS36HNDL10
36-Inch Masterpiece® Handle
Coordinates with Thermador Masterpiece® Series appliances

FREEZER COLUMN—FULLY FLUSH COLLECTION

18"



T18ID800RP
Right-Hand Swing
External Ice & Water Dispenser
Custom Column



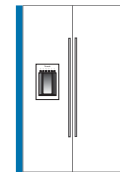
T18ID800LP
Left Hand Swing
External Ice & Water Dispenser
Custom Column



TFL18ID800
Flat Stainless Steel with Dispenser

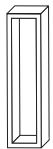


TCH18ID800
Chiseled Stainless Steel with Dispenser



FRAMEKIT10
This accessory enables installation in 24-inch deep cutouts. Kit includes two identical and reversible vertical frames.

18"



T18IF800SP
Reversible Swing
Internal Ice Maker
Custom Column

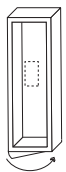


TFL18IR800
Flat Stainless Steel

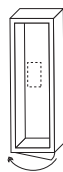


TCH18IR800
Chiseled Stainless Steel

24"



T24ID800RP
Right-Hand Swing
External Ice & Water Dispenser
Custom Column



T24ID800LP
Left Hand Swing
External Ice & Water Dispenser
Custom Column

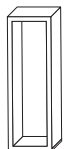


TFL24ID800
Flat Stainless Steel with Dispenser



TCH24ID800
Chiseled Stainless Steel with Dispenser

24"



T24IF800SP
Reversible Swing
Internal Ice Maker
Custom Column

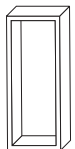


TFL24IR800
Flat Stainless Steel



TCH24IR800
Chiseled Stainless Steel

30"



T30IF800SP
Reversible Swing
Internal Ice Maker
Custom Column



TFL30IR800
Flat Stainless Steel



TCH30IR800
Chiseled Stainless Steel

IMPORTANT: Use a sealing kit when connecting refrigerator and freezer columns side-by-side (included with every freezer column). Use HEATRKIT10 for all non-traditional side-by-side combinations, installations where columns are not connected but less than six inches (152 mm) from one another and for any installation in areas subject to excessive humidity. See page 245 for details.

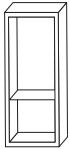


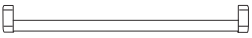
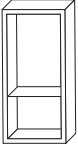
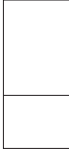


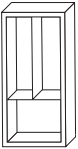
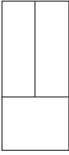

FREEDOM® COLLECTION BUILDING YOUR CUSTOM COLUMN

1 CHOOSE UNIT



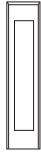




2 CHOOSE PANEL

3 CHOOSE HANDLE AND OPTIONAL FRAME

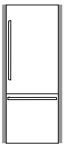
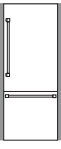


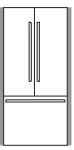
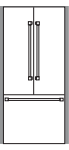
BOTTOM FREEZER—FULLY FLUSH COLLECTION

<p>30"</p>  <p>T30IB800SP* 2-Door Custom Unit</p>	 <p>TFL30IB800* Flat Stainless Steel</p>	 <p>TCH30IB800* Chiseled Stainless Steel</p>	 <p>PR36HNDL10 36-Inch Professional Handle Coordinates with Thermador Professional® Series appliances</p>
<p>36"</p>  <p>T36IB800SP 2-Door Custom Unit</p>	 <p>TFL36IB800 Flat Stainless Steel</p>	 <p>TCH36IB800 Chiseled Stainless Steel</p>	 <p>MS36HNDL10 36-Inch Masterpiece® Handle Coordinates with Thermador Masterpiece® Series appliances</p>
<p>36"</p>  <p>T36IT800NP French Door Custom Unit</p>	 <p>TFL36IT800 Flat Stainless Steel</p>	 <p>TCH36IT800 Chiseled Stainless Steel</p>	<p>*This appliance requires one 36-inch handle for the door and one 30-inch handle for the bottom freezer drawer.</p> <p>PR30HNDL10 30-Inch Professional Handle MS30HNDL10 30-Inch Masterpiece® Handle</p>

WINE PRESERVATION—FULLY FLUSH COLLECTION

<p>18"</p>  <p>T18IW800SP Reversible Swing Custom Column</p>	 <p>TFL18IW800 Flat Stainless Steel Reversible Swing</p>	 <p>TCH18IW800 Chiseled Stainless Steel Reversible Swing</p>	 <p>FRAMEKIT10</p>
<p>24"</p>  <p>T24IW800SP Reversible Swing Custom Column</p>	 <p>TFL24IW800 Flat Stainless Steel Right-Hand Swing</p>	 <p>TCH24IW800 Chiseled Stainless Steel Right-Hand Swing</p>	<p>This accessory enables installation in 24-inch deep cutouts. Kit includes two identical and reversible vertical frames.</p>

PRE-ASSEMBLED BOTTOM FREEZERS

<p>30"</p>  <p>T30BB810SS 2-Door Flat Stainless Steel Panels Masterpiece® Handles Removable Frame</p>	 <p>T30BB820SS 2-Door Flat Stainless Steel Panels Professional Handles Removable Frame</p>	
<p>36"</p>  <p>T36BB810SS 2-Door Flat Stainless Steel Panels Masterpiece® Handles Removable Frame</p>	 <p>T36BB820SS 2-Door Flat Stainless Steel Panels Professional Handles Removable Frame</p>	<p>A frame is attached to all pre-assembled models. It is removable if a flush installation in a 25" deep cabinet is desired.</p>
<p>36"</p>  <p>T36BT810NS French Door Flat Stainless Steel Panels Masterpiece® Handles Removable Frame</p>	 <p>T36BT820NS French Door Flat Stainless Steel Panels Professional Handles Removable Frame</p>	

IMPORTANT: Use a sealing kit when connecting refrigerator and freezer columns side-by-side (included with every freezer column). Use HEATRKIT10 for all non-traditional side-by-side combinations, installations where columns are not connected but less than six inches (152 mm) from one another and for any installation in areas subject to excessive humidity. See page 245 for details.

FREEDOM® COLLECTION PLANNING CHECKLIST



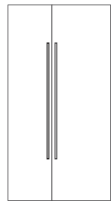
This custom product requires attention to the finest details. Did you remember to...?

- Choose a desired configuration – side-by-side or stand-alone columns (See pages 237–241 for details)
- Plan the cutout height(s) – 84" (See pages 237–241 for details)
- Plan the cutout width(s) – depends on configuration and column width (See pages 237–241 for details)
- Plan the cutout depth – 25" for North American style cabinets, 24" with installation frame accessory, 24" for European style cabinets (See pages 237–241 for details)
- Ensure the cutout interior (top and sides) is flush to the appliance at a depth of min. 4", preferably 6" from face frame (See pages 237–241 for details)
- Ensure the cutout interior returns (top and sides) are finished to match exterior at a depth of min. 4", preferably 6" from face frame (See pages 237–241 for details)
- Ensure proper clearance for appliance doors including handle(s) – check for interference with other appliances, open or closed cabinets and doors, nearby walls (See page 234 for details)
- Properly site the electrical outlet and (if applicable) water box (See page 236 for details)
- Choose the door panel type – flat (TFL series) or chiseled (TCH series) stainless steel accessory panels or design custom panel(s) (See page 244 for details)
- Ensure the reverse of any custom panel is finished to match the exterior
- Choose the handle style – Professional (PR36HNDL10), Masterpiece® (MS36HNDL10) or custom
- Choose the correct handle length – normally PR36HNDL10 or MS36HNDL10 – shorter handle (PR30HNDL10 or MS30HNDL10) for 30" bottom freezer (T30IB800SP) drawer only
- Choose the toekick style – stainless (included with appliance) or design custom toekick(s) (See page 242 for details)
- Procure the proper installation accessories – stainless steel frame kit (FRAMEKIT10) for framed installations in 24-inch deep cutouts, heater kit (HEATRKIT10) for uncommon side-by-sides (any combination not involving a freezer column) heater kit for installations of columns that are not side-by-side, but six inches or closer to one another, heater kit for humid areas (any configuration or installation type) (See page 245 for details)
- If applicable, procure the proper water filter accessories – additional replacement filters (REPLFLTR10), filter by-pass (SCRNFLTR10) for in-home water filtration system (See page 245 for details)

FREEDOM® COLLECTION SUGGESTED COMBINATIONS

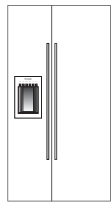
Thermador's Freedom® Collection uses independent columns that create unlimited flexibility in both function and design. Some suggested pairings are listed below. A special kit is included with all freezer columns to simplify traditional side-by-side refrigerator/freezer combinations. When combining two appliances where one is not a freezer column or if any two units are installed less than 6" (152 mm) apart from one another but not connected side-by-side, always use the Heater Kit (HEATRKIT10) to guard against damaging condensation build-up.

42-INCH



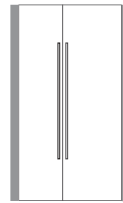
18-Inch
Freezer
Column
T18IF800SP

24-Inch
Fresh Food
Column
T24IR800SP



18-Inch
Freezer
Column
T18ID800LP

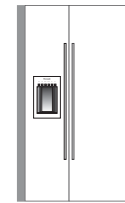
24-Inch
Fresh Food
Column
T24IR800SP



18-Inch
Freezer Column
T18IF800SP

24-Inch
Fresh Food
Column
T24IR800SP

Shown with
FRAMEKIT10

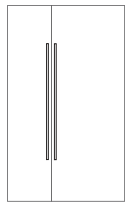


18-Inch
Freezer Column
T18ID800LP

24-Inch
Fresh Food
Column
T24IR800SP

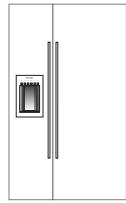
Shown with
FRAMEKIT10

48-INCH



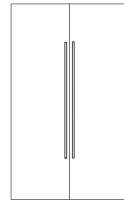
18-Inch
Freezer
Column
T18IF800SP

30-Inch
Fresh Food
Column
T30IR800SP



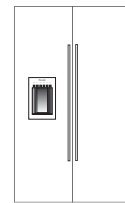
18-Inch
Freezer
Column
T18ID800LP

30-Inch
Fresh Food
Column
T30IR800SP



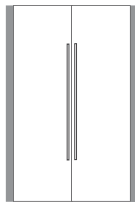
24-Inch
Freezer
Column
T24IF800SP

24-Inch
Fresh Food
Column
T24IR800SP



24-Inch
Freezer
Column
T24ID800LP

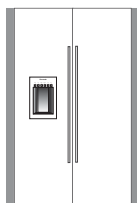
24-Inch
Fresh Food
Column
T24IR800SP



24-Inch
Freezer Column
T24IF800SP

24-Inch
Fresh Food
Column
T24IR800SP

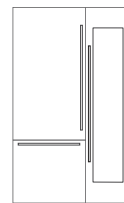
Shown with
FRAMEKIT10



24-Inch
Freezer Column
T24ID800SP

24-Inch
Fresh Food
Column
T24IR800SP

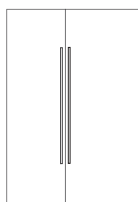
Shown with
FRAMEKIT10



30-Inch*
2-Door
Bottom Freezer
T30IB800SP

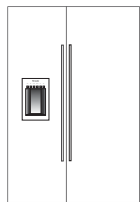
18-Inch*
Wine
Preservation
Column
T18IW800SP

54-INCH



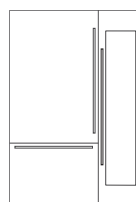
24-Inch
Freezer
Column
T24IF800SP

30-Inch
Fresh Food
Column
T30IR800SP



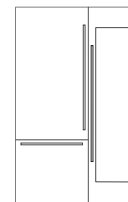
24-Inch
Freezer
Column
T24ID800LP

30-Inch
Fresh Food
Column
T30IR800SP



36-Inch*
2-Door
Bottom Freezer
T36IB800SP

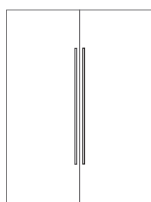
18-Inch*
Wine
Preservation
Column
T18IW800SP



30-Inch*
2-Door
Bottom Freezer
T30IB800SP

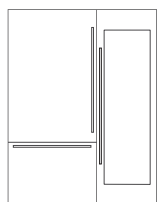
24-Inch*
Wine
Preservation
Column
T24IW800SP

60-INCH



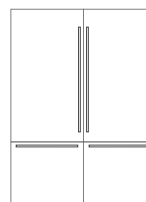
30-Inch
Freezer
Column
T30IF800SP

30-Inch
Fresh Food
Column
T30IR800SP



36-Inch*
2-Door
Bottom Freezer
T36IB800SP

24-Inch*
Wine
Preservation
Column
T24IW800SP



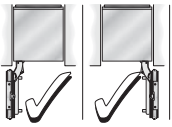
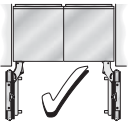
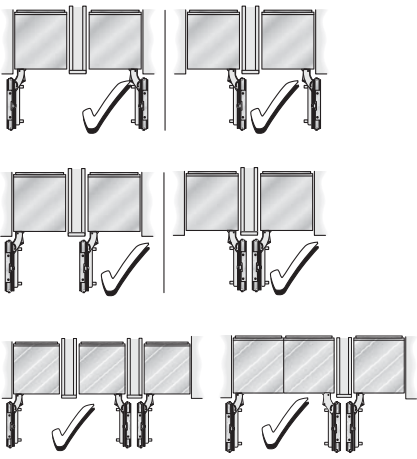
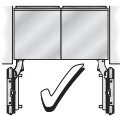

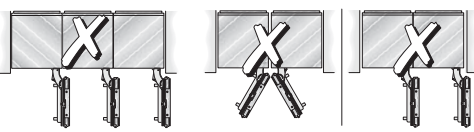
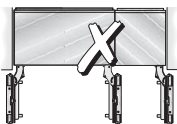
30-Inch*
2-Door
Bottom Freezer
T30IB800SP

30-Inch*
2-Door
Bottom Freezer
T30IB800SP

*Requires Heater Kit HEATRKIT10

FREEDOM® COLLECTION INSTALLATION OPTIONS

The Freedom® Collection offers a variety of installation possibilities*. In some instances, special accessories are required.

RECOMMENDED INSTALLATIONS	CONSIDERATIONS
<p>STAND-ALONE</p> 	<p>Any Freedom appliance can be installed as a stand-alone unit. Ensure a cutout flush to the appliance at a depth of minimum 4" (102 mm), preferably 6" (152 mm) on the top and sides.</p>
<p>SIDE-BY-SIDE</p> 	<p>When two appliances are installed side-by-side a sealing kit must be used. For combinations that involve a freezer column, this kit is provided. For all other (non-traditional) side-by-side combinations or instances where any appliances are installed less than 6" (152 mm) apart from one another but not connected side-by-side, purchase the Heater Kit (HEATRKIT10).</p>
<p>SPLIT COLUMNS WITH PARTITION</p> 	<p>When dimensioning the partition, note the thickness of the door panel (including handles) as well as the swivel range to prevent damage if the doors are opened at the same time. (See page 243 for details on door swivel range dimensions)</p> <p>Three appliances can be installed together only if a partition—minimum 5/8" (16 mm)—is placed between two of the appliances. Ensure that door panel thickness (including handles) as well as the swivel range are accounted for.</p>
<p>AT THE END OF A CABINETY RUN</p> 	<p>All Freedom appliances must be completely enclosed on the top and sides. If one side of the appliance is visible, a decorative side panel must be used. The side panel must be connected firmly to the wall, the floor and any overhead furniture/fixtures before the appliance is placed in the cutout.</p>
NOT RECOMMENDED	CONCERNS
	<p>It is absolutely essential to ensure that the appliance is installed in such a way that the doors do not interfere with an adjacent wall or other kitchen elements. (See page 243 for details on door swivel range dimensions)</p>
	<p>A partition—minimum 5/8" (16 mm)—is required to ensure the doors do not interfere with one another when opened. Use a partition to separate appliances and observe the door swivel range. (See page 243 for details on door swivel range dimensions)</p>
	<p>A Thermador French Door Bottom Freezer cannot be connected side-by-side with any other appliance. Use a partition to separate appliances and observe the door swivel range. (See page 243 for details on door swivel range dimensions)</p>

*The Thermador warranty shall apply only to recommended installations.

INSTALLATION CONSIDERATIONS

LOCATION

The appliance should be installed in a dry, ventilated room. It may not be installed outdoors. The ambient temperature of the room must be between 55°F (13°C) and 100°F (43°C).

The appliance should not be exposed to constant direct sunlight or excessive heat. If installation next to a heat source, such as an oven, radiator, etc. is unavoidable, use a suitable insulating plate or observe the following minimum distances from the heat source:

- 1 1/4" (30 mm) from an electric cooking appliance,
- 11 13/16" (300 mm) from an oil or solid-fuel cooking appliance.

INSTALLATION AND CUTOUT DIMENSIONS

Please see pages 237–241 for complete cutout planning information.

It is important to observe the specified dimensions of the installation cutout for a trouble-free installation of the appliance and for the subsequent appearance of the door panel.

- In particular ensure that the cutout is square. Squareness can be checked by suitable means, e.g. spirit level, diagonal measurements, etc.
- The side walls of the cutout must be flush. The minimum thickness of the side and top walls is 5/8" (16 mm). The minimum thickness of toekick panel is 1/4" (6 mm).

FURNITURE/FIXTURES

During installation, the appliance is fastened to adjacent and overhead furniture/fixtures and it is therefore essential that all such furniture/fixtures are well secured to the substructure or adjacent wall.

FLOORING/SUBSTRUCTURE

On account of the heavy weight of a fully loaded appliance, a load-bearing substructure is required. To ensure correct installation and function, the support must be flat, level and made of hard, rigid material. If in doubt, contact an architect or a building expert.

Refer to the following table for load-bearing capacity:

APPLIANCE	LOAD BEARING CAPACITY
24-Inch Fresh Food Column	890 lbs. / 400 kg
30-Inch Fresh Food Column	1,110 lbs. / 500 kg
18-Inch Freezer Column	560 lbs. / 250 kg*
24-Inch Freezer Column	780 lbs. / 350 kg*
30-Inch Freezer Column	950 lbs. / 425 kg
30-Inch Bottom Freezer	900 lbs. / 410 kg
36-Inch Bottom Freezer	1,200 lbs. / 540 kg

*Without water dispenser



WARRANTY

Limited two-year warranty—for two years from the date of original purchase, we will provide, free of charge, parts and service labor in your home to repair or replace any part of the refrigerator that fails because of a manufacturing defect.

Limited warranty on sealed refrigeration system**; parts and labor (3rd–6th year)

Limited warranty on sealed refrigeration system; parts only (7th–12th year)

See page 306 for additional warranty details.

**Sealed refrigeration system includes compressor, evaporator, condenser, dryer/strainer and connecting tubing

FREEDOM® COLLECTION PLANNING INFORMATION

ELECTRICAL SPECIFICATIONS

The appliance comes with a 3-wire power supply cord. UL listed in the USA.

The appliance requires a 3-wire receptacle that is fitted with a 15 Amp fuse or higher. Refer to the following table for max load details.

APPLIANCE	MAX LOAD
	240/208V AC, 60Hz
24-Inch Fresh Food Column	1.50 Amps
30-Inch Fresh Food Column	1.50 Amps
18-Inch Freezer Column*	3.06 Amps
24-Inch Freezer Column*	3.70 Amps
30-Inch Freezer Column*	4.20 Amps
30-Inch 2-Door Bottom Freezer*	4.90 Amps
36-Inch 2-Door Bottom Freezer*	4.90 Amps
36-Inch French Door Bottom Freezer*	4.90 Amps
18-Inch Wine Preservation Column	0.81 Amps
24-Inch Wine Preservation Column	0.90 Amps

*Including ice maker

The receptacle must be installed by a licensed electrician only.

For the installation position of the receptacle refer to diagram in "Electrical Location".

GROUNDING INSTRUCTION

This appliance must be grounded. In the event of a malfunction or breakdown, grounding will reduce the risk of electric shock by providing a path of least resistance for the electric current.

ADDITIONAL GROUNDING PROCEDURE

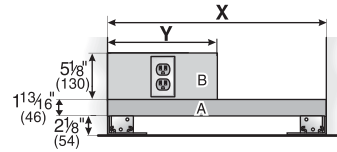
Some local regulations may require a separate ground. In such cases, the required accessory ground wire, clamp and screw must be purchased separately. Never ground the appliance to plastic plumbing lines, gas lines or water pipes.

A 4-conductor cord shall be used when the appliance is installed in an area where local codes do not permit grounding through the neutral. Power supply cord must be replaced by a licensed electrician only.

WARNING

Improper connection of the equipment grounding conductor may result in electric shock. Have the appliance checked by a qualified electrician or service technician if you are in doubt as to whether the appliance has been properly grounded.

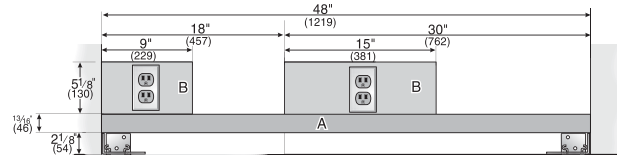
ELECTRICAL LOCATION



SPLIT COLUMN INSTALLATION

	18-Inch	24-Inch	30-Inch
X	18" (457 mm)	24" (610 mm)	30" (762 mm)
Y	9" (229 mm)	12" (305 mm)	15" (381 mm)

SIDE-BY-SIDE INSTALLATION



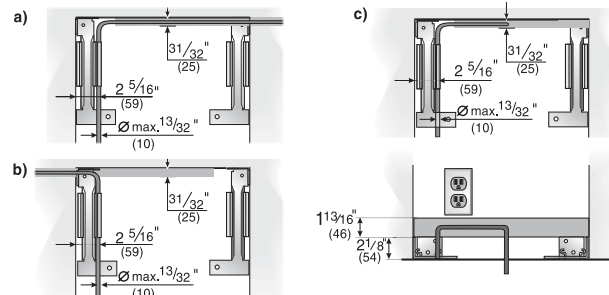
WATER LOCATION

A cold water connection is required for appliances that feature an ice maker or an ice and water dispenser.

The water pressure must be between 40 and 120 p.s.i. (2.75-8.25 bar). The installation must comply with local plumbing regulations.

A separate shut-off valve must be installed for the appliance water connection.

The shut-off valve for the water connection may not be behind the appliance. It is recommended to place the shut-off valve outside the cutout next to the appliance or in another easily accessible location. When installing the water connection, observe the permitted installation areas for the water supply line. The supply line can be located to the right (a), to the left (b), or underneath (c).



CABINETY TERMS & BASIC REQUIREMENTS

To clarify the terms that are used in this design guide, please refer to the following definitions:

CASE

This is the main body of a kitchen cabinet.

(CABINET) FACE FRAME

This is a decorative frame at the front of a kitchen cabinet representing the space between cabinetry doors or drawers and is typical for North America. European style cabinets (frameless cabinetry) typically do not have a face frame.

DOOR PANEL

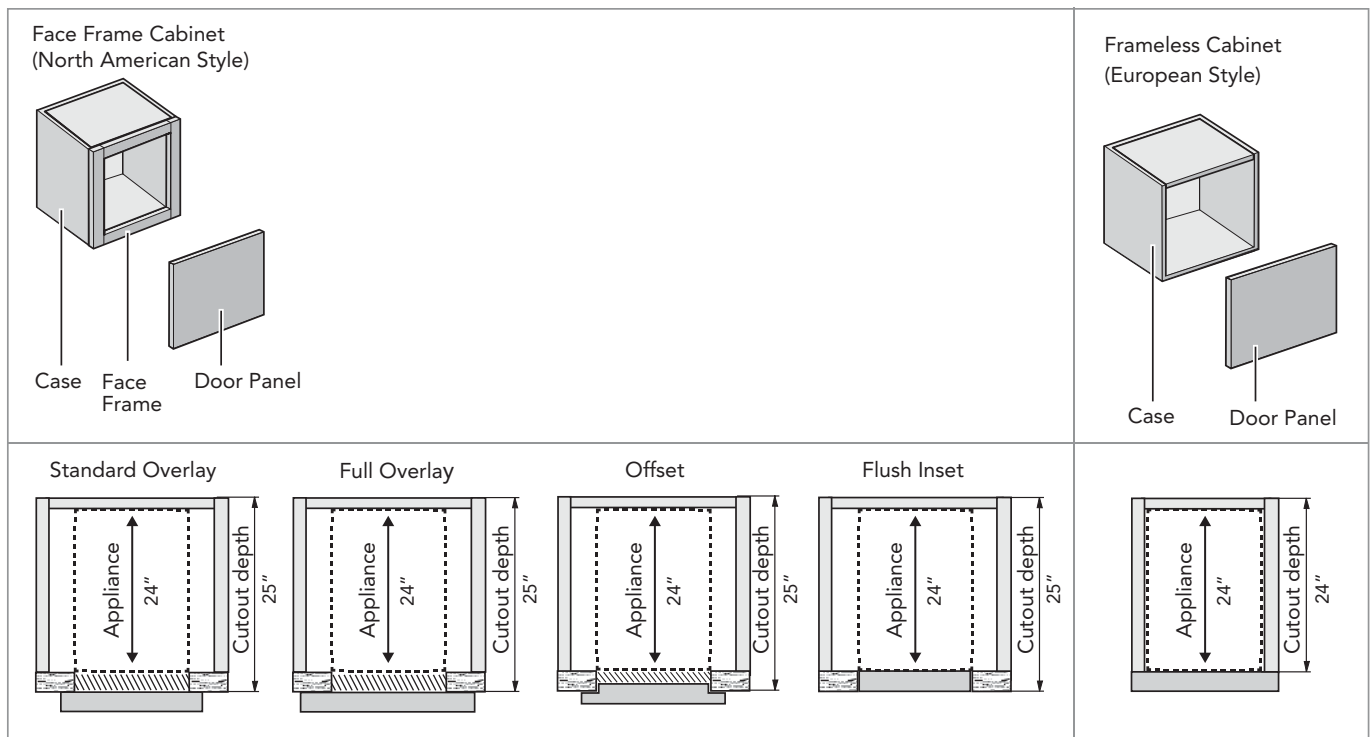
Able to be fully flush integrated when installed in 25" (635 mm) deep cabinets, Freedom® Collection refrigerators are intentionally designed to be equipped with custom door panels that perfectly match surrounding kitchen cabinetry. Typical panel thickness is 3/4" (19 mm). However, thicker panels can be accommodated to emulate the look of the visible face frame (as in overlay) or to match existing kitchen cabinetry doors. When using custom panels, always ensure that the panel reverse is finished to match the exterior, as parts of the panel reverse will be visible when the refrigerator door is opened.

CUTOUT (NICHE)

The cutout is the cavity in which a Freedom® Collection appliance is installed. The width of the cutout (18-inch, 24-inch, 30-inch, etc.) is dependent on the appliance(s). The total depth of the cutout is equal to the depth of the case plus face frame. It does not necessarily include the thickness of the door panel. For proper planning of cutout depth, please refer to pages 237–241.

Typically, the cutout for a Freedom® Collection appliance will be 25" (635 mm) deep. When planning the cutout, it is essential that the top and side interior walls be flush to the appliance at a minimum depth of 4" (102 mm) from the outer edge of the face frame and composed of thick (5/8" (16 mm) minimum) material for secure installation. Also, because the case interior will be partially visible when the refrigerator door is opened, always ensure that the top and side returns are finished to match the exterior furniture at the same minimum depth of 4" (102 mm).

KITCHEN CABINETY ILLUSTRATION



FREEDOM® COLLECTION INSTALLATION DIMENSIONS

CABINETRY STYLE & CUTOUT DEPTH

Freedom® Collection refrigeration appliances are designed to accommodate nearly any type of kitchen cabinetry door installation. Generally, when using standard $\frac{3}{4}$ " (19 mm) panels, 25" (635 mm) deep cutouts are recommended but the required cutout depth depends on the desired cabinetry and custom panel execution, whether typical North American styles that employ a face frame—requiring a depth of 25" (635 mm)—or European style—requiring a depth of 24" (610 mm).

The below cabinetry styles detail requirements for the cutout and custom panel.

A) STANDARD (PARTIAL) OVERLAY – 25" (635 MM) CUTOUT DEPTH

With standard overlay kitchen cabinetry the face frame is an important design element. In order to emulate this aesthetic for the refrigerator, one must account for the door panel thickness (typically $\frac{3}{4}$ " (19 mm)) as well as the face frame thickness (here, also $\frac{3}{4}$ " (19 mm)). The resulting thickness of the custom door panel is therefore $\frac{3}{4}$ " (19 mm) + $\frac{3}{4}$ " (19 mm) = 1 $\frac{1}{2}$ " (38 mm). The cumulative thickness of the custom door panel requires added depth in the cutout so 25" (635 mm) is recommended (see sketch).

B) FULL OVERLAY – 25" (635 MM) CUTOUT DEPTH

The requirements for standard overlays are also valid for full overlay designs so 25" (635 mm) cutout depth is recommended. However, especially if kitchen cabinet doors are thinner than $\frac{3}{4}$ " (19 mm) or reveals are $\frac{1}{8}$ " (3 mm) or smaller, a 24" (610 mm) cutout depth may also be acceptable. In this execution both the cabinet door and the small reveal of the fully overlaid face frame must be emulated within the typical appliance door panel thickness of $\frac{3}{4}$ " (19 mm). This can be done either a) by simply ignoring the visible area of the face frame (very small reveals show virtually no face frame) or b) by creating a "nose" on the custom door panel to emulate a small visible face frame (see sketch).

C & D) OFFSET & FLUSH INSET – 25" (635 MM) CUTOUT DEPTH

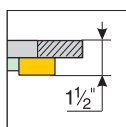
Here, kitchen cabinetry door panels do not rest atop the cabinet face frame (overlay), but are instead inserted partially (offset) or fully flush (inset) into the face frame. Such offset or flush inset door panels require additional depth in the cutout. Using the example of a $\frac{3}{4}$ " (19 mm) thick panel, the complete cutout depth would be 24" (610 mm) + $\frac{3}{4}$ " (19 mm) = 24 $\frac{3}{4}$ " (629 mm) and in this example 25" (635 mm) is recommended.

E) FRAMED – 24" (610 MM) CUTOUT DEPTH

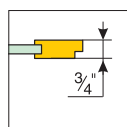
For Freedom® Collection refrigeration appliances, a metal frame (FRAMEKIT10) may be affixed to the side of the cabinet which conveniently hides unfinished case returns and provides a classic built-in look. This is particularly relevant for existing cabinetry that has not been custom-built to accommodate these appliances. A 24" (610 mm) cutout will result in a slightly protruding door panel for a typical built-in look.

F) EUROPEAN STYLE KITCHEN CABINETRY – 24" (610 MM) CUTOUT DEPTH

If the kitchen design is based on European style cabinetry, there is no need to emulate the look of a face frame, as such a frame is not an element of the kitchen cabinetry design. Therefore a 24" (610 mm) deep cutout with accompanying custom panel will always be sufficient.

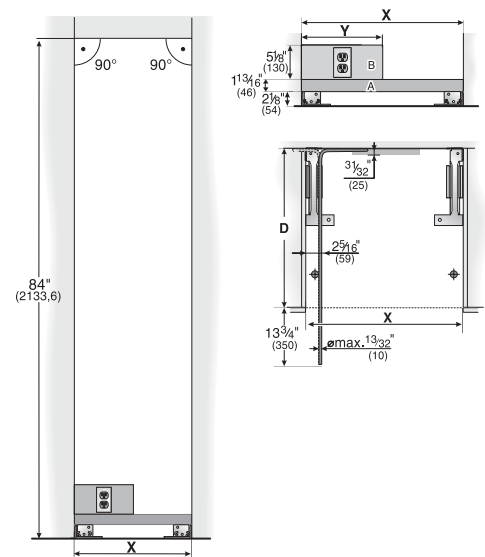


A) STANDARD OVERLAY DESIGN
Custom Door Panel (Emulating a Face Frame)



B) FULL OVERLAY DESIGN
Custom Door Panel with Nose (Emulating a Face Frame)

SPLIT COLUMN INSTALLATION



A: Area for running the water line. It is recommended the water-box be placed adjacent to the installation cutout, so that it can be accessed for service without uninstalling the appliance. If this is not possible, place the recessed water box adjacent to the power supply socket elevated at the heights as referenced in areas A+B.

B: Area for installing the power connection

D: Opening depth of cutout, depending on kitchen design (24" minimum)

	X	Y
18-Inch Columns	18" (457 mm)	9" (229 mm)
24-Inch Columns	24" (610 mm)	12" (305 mm)
30-Inch Columns	30" (762 mm)	15" (381 mm)
30-Inch Bottom Freezer	30" (762 mm)	15" (381 mm)
36-Inch Bottom Freezer	36" (914 mm)	18" (457 mm)

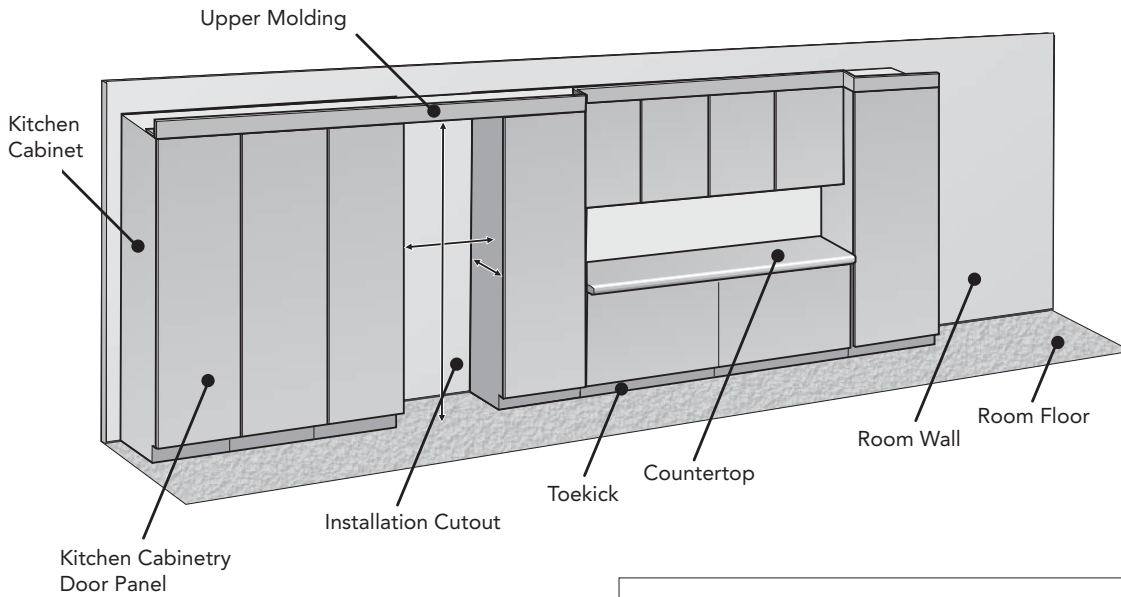
IMPORTANT

It is strongly recommended the top interior of the cutout be of solid material ($\frac{5}{8}$ " (16 mm) thickness). Ensure that the top well is completely flush for a depth of at least 4" (102 mm).

Ensure that the side walls of the cutout are also completely flush to a depth of at least 4" (102 mm).

If, for some reason, a separate cutout cabinet is created, ensure that the furniture return is at least 4" (102 mm) deep for proper installation.

PLANNING EXAMPLE #1: FRAMELESS (EUROPEAN) CABINETRY

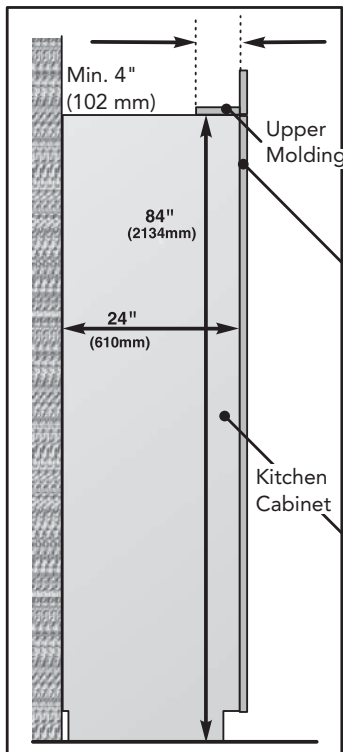


CUTOUT FOR 30" APPLIANCE, FRAMELESS CABINETRY:

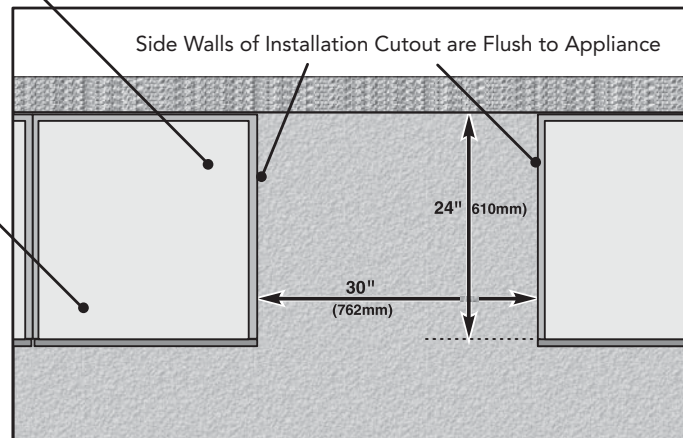
In this example, the installation cutout is formed by simply leaving a gap between two kitchen cabinets.

The custom door panel $\frac{3}{4}$ " (19 mm) will be identical in appearance and thickness to the surrounding kitchen cabinetry panels.

- cutout width is exactly 30" (762 mm)
- cutout (case) depth is 24" (610 mm)—does not include door panel
- top and side walls of cutout interior are completely flush, of solid material and at least 4" (102 mm) deep



**INSTALLATION CUTOUT
(VERTICAL SECTION)**

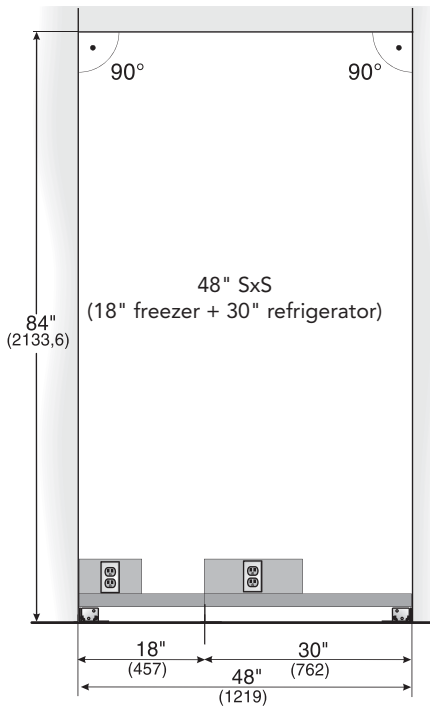
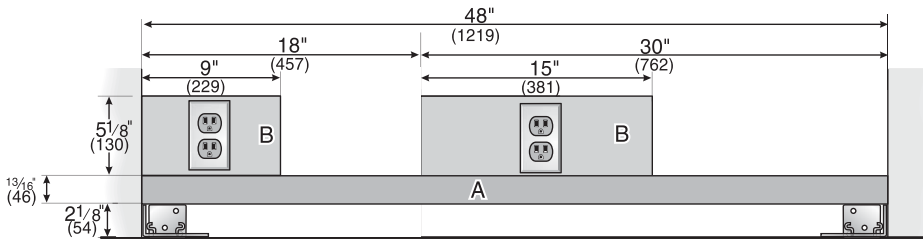


30-INCH INSTALLATION CUTOUT (HORIZONTAL SECTION)

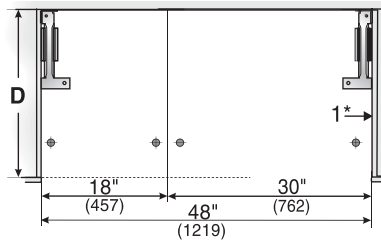
FREEDOM® COLLECTION INSTALLATION DIMENSIONS

SIDE-BY-SIDE INSTALLATION

The cutout width for side-by-side installations is defined by adding together the dimensions of two single columns. Below are the dimensions of a classic 48" side-by-side, with an 18" freezer on the left and a 30" refrigerator on the right.



IMPORTANT: Just as with stand-alone columns, always ensure that the receptacles and the water line are correctly positioned. For dimensional requirements see page 236.

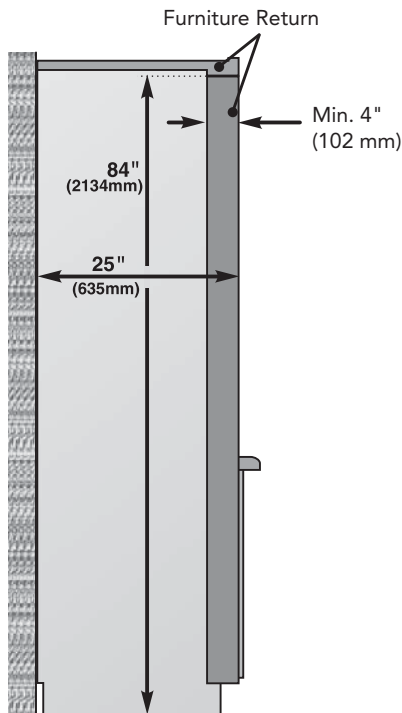
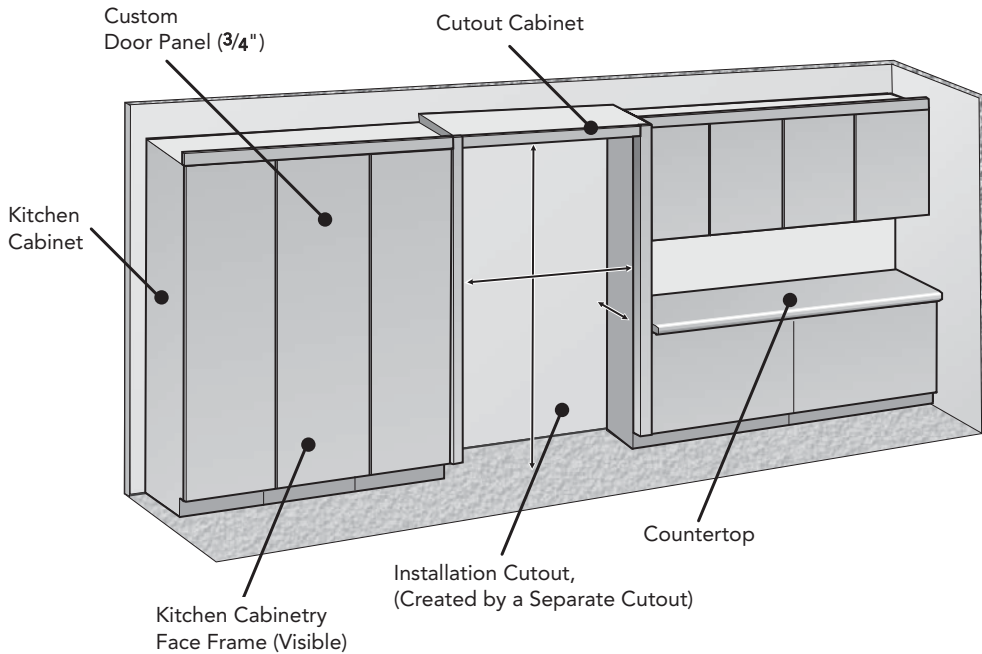


A: Area for running the water line. It is recommended the water-box be placed adjacent to the installation cutout, so that it can be accessed for service without uninstalling the appliance. If this is not possible, place the recessed water box adjacent to the power supply socket elevated at the heights as referenced in areas A+B.

B: Area for installing the power connection

D: Opening depth of cutout, depending on kitchen design (24" minimum)

PLANNING EXAMPLE #2: STANDARD OVERLAY CABINETY

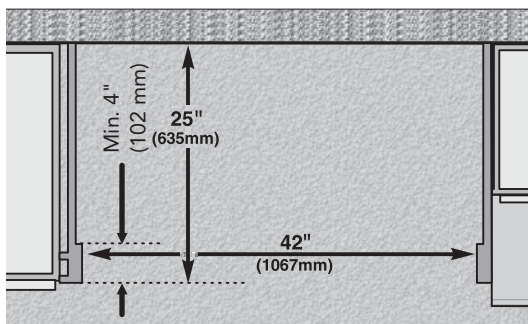


CUTOUT FOR 42" SIDE-BY-SIDE APPLIANCE COMBINATION, STANDARD OVERLAY CABINETY:

In this example, the installation cutout is formed by creating a separate cutout around the appliances. It yields a look that deviates from the general kitchen design.

The custom door panel has a cumulative thickness of 1 1/2" (38 mm), 3/4" (19 mm) emulating the face frame and 3/4" (19 mm) for the actual door panel). Thus, a 25" (635 mm) deep installation cutout is required.

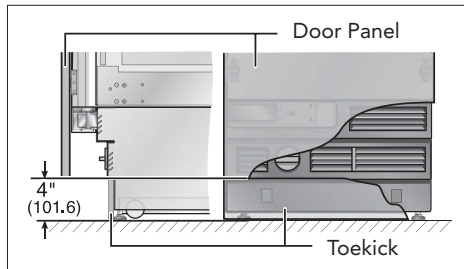
- cutout width is exactly 42" (for an 18" + 24" = 42" side-by-side combination)
- cutout (case) depth is 25" (635 mm) due to 1 1/2" (38 mm) custom door panel
- any furniture return must be at least 4" (102 mm) deep, on interior top and sides, of solid material and should be finished to match the exterior at the same depth (4" or 102 mm)



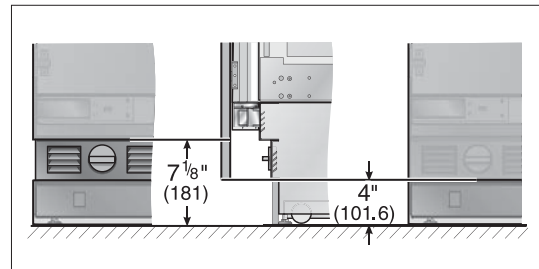
FREEDOM® COLLECTION INSTALLATION DIMENSIONS

TOEKICK & VENTING GRILLE

Each Freedom® Collection refrigeration appliance comes with a 4" (102 mm) tall stainless steel toekick. A custom-made toekick that matches the surrounding cabinetry may be applied instead. While standard toekick height is 4" (102 mm), depending on the usage of the leveling legs, the toekick height could vary. Regardless of toekick height, it is imperative that the venting grille remain unblocked to ensure proper functionality of the appliance. Decorative toekicks should be removable to allow for servicing.



Typical 4" (102 mm) toekick height. Velcro adhesive strips are used to fasten the toekick to the appliance. Venting grille and (if applicable) the water filter cavity are located above the toekick area.



If required by the surrounding cabinetry design, the distance between the bottom edge of the door panel and the floor can be increased from approx. 4" (102 mm) up to 7 1/8" (181 mm), but should not be decreased. Note, however, that the venting grille and (if applicable) water filter cavity will be visible, even if the door is closed.

UPPER MOLDING

The planning of decorative upper molding above the cutout requires taking into account the actual or desired height of the door panel.

The overall height of the door panel will depend on:

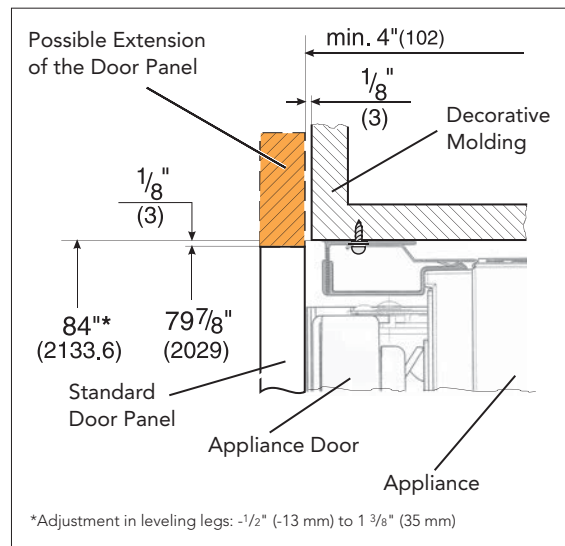
- the height of the appliance, typically 84" (2134 mm)—leveling legs allow height adjustment ranging from -1/2" (-13 mm) to +1 3/8" (+35 mm)
- the installed height of the door panel (distance from the bottom edge of the door panel to the floor, typically 4" (102 mm), and, if desired, any extension of the custom panel above the appliance cutout)
- the appliance type (single door or bottom freezer)

IMPORTANT

Please recall that a panel should be installed at a minimum height of 4" (102 mm) from the floor to allow proper ventilation of the appliance.

Always ensure that the top of the cutout or upper decorative molding is at least 4" (102 mm) deep, so that the refrigerator can be properly secured to the cutout wall. This is particularly important if a protruding cutout is specially created and configured with a face frame. Furniture returns for any face frame must be a minimum of 4" (102 mm) deep.

VERTICAL SECTION, SIDE VIEW:



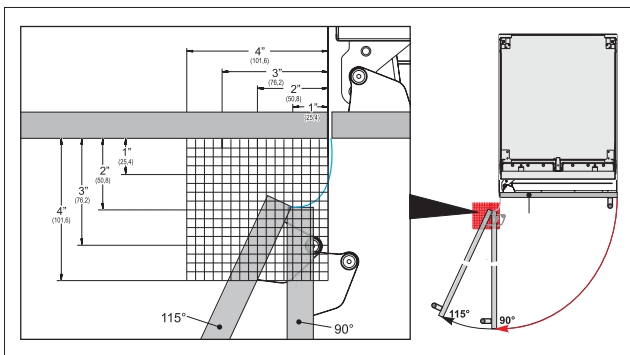
DOOR SWIVEL RANGE

It is absolutely essential to ensure that the appliance is installed in such a way that the doors (including handles) and adjacent cabinets, countertops, pilasters, walls or other kitchen elements do not interfere with one another when opened. The illustrations below depict the swivel range of the Freedom® Collection refrigerator doors including mounted door panels of both 3/4" (19 mm) and 1 1/2" (38 mm) thickness.

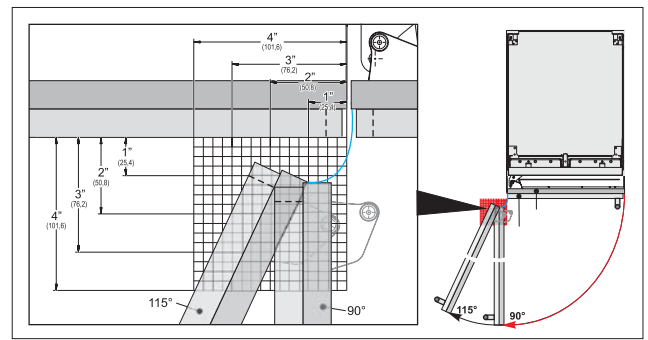
In the event of door interference the following solutions may be employed:

- Limit the refrigerator door opening angle to 90° with a door stop pin inserted into the hinge.
- Reduce the door panel thickness (if larger than 3/4" (19 mm)).
- Install a spacer between the appliance and the kitchen element that creates the interference.
- Rearrange the opposing kitchen element that creates the problem.
- Create a protruding cutout for the appliance.

DOOR SWIVEL RANGE – 3/4" (19 MM) FLUSH APPLIANCE DOOR PANEL

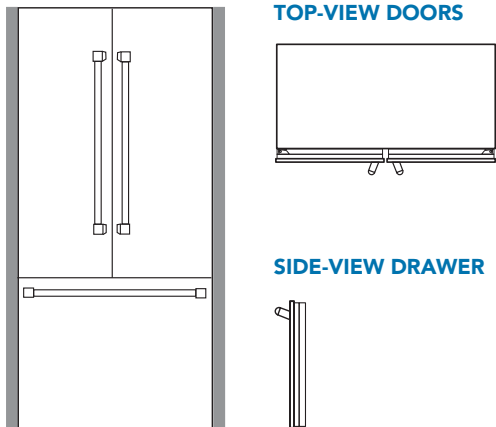


DOOR SWIVEL RANGE – 1 1/2" (38 MM) FLUSH APPLIANCE DOOR PANEL

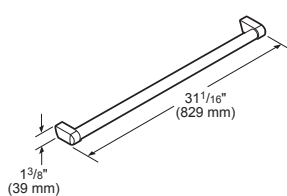
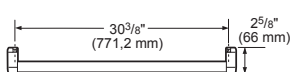


HANDLE INSTALLATION AND DIMENSIONS

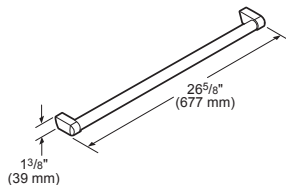
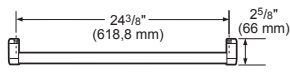
PROFESSIONAL HANDLE



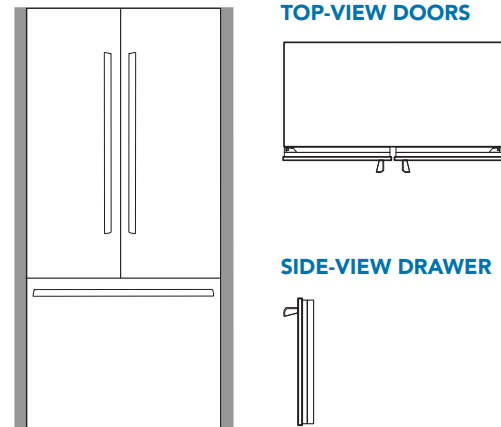
PR36HNDL10



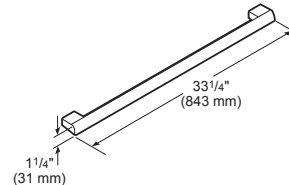
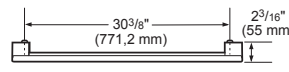
PR30HNDL10*



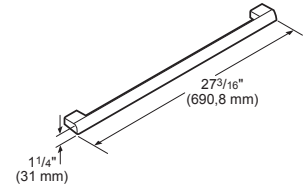
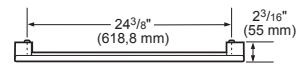
MASTERPIECE® HANDLE



MS36HNDL10



MS30HNDL10*



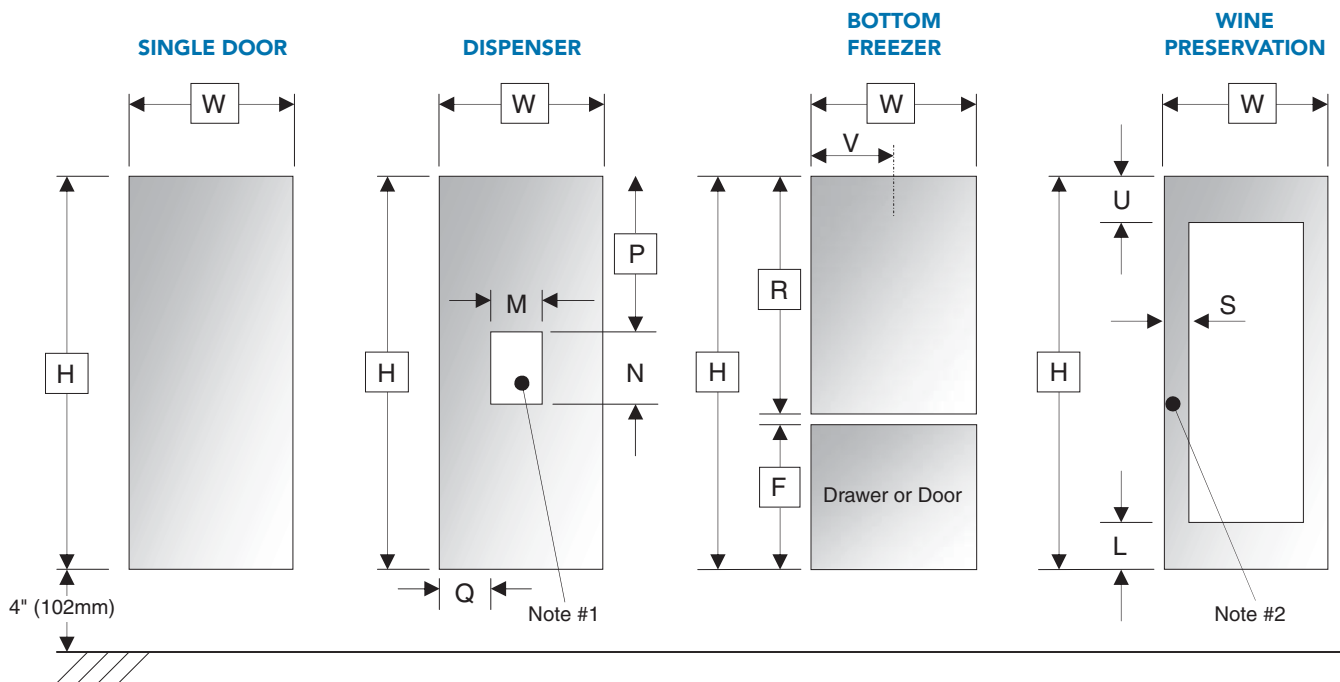
*For use with 30" bottom freezer T30IB800SP drawer only

FREEDOM® COLLECTION DOOR PANEL DIMENSIONS

Each Freedom® Collection refrigeration appliance is designed to be equipped with a decorative door panel. A panel can be custom-made or purchased as a stainless steel accessory. The table below illustrates the dimensions of the stainless steel panel accessories and can be used as a guide in creating custom panels. At 79 7/8" (2029 mm) tall, they are designed for a toekick height of 4" (102 mm), and a total cutout height of 84" (2134 mm) yielding 1/8" (3 mm) reveals. At 3/4" (19 mm) deep, they are designed to attach to the 24" (610 mm) deep appliance for an overall depth of 24 3/4" (629 mm). See page 238 for cutout planning.

When using custom panels, always ensure that the panel reverse is finished to match the exterior, as parts of the panel reverse will be visible when the refrigerator door is opened.

IMPORTANT: While these sketches can serve as a general guide in planning panel dimensions, the correct panel dimensions are dictated by design choices including style and dimensions of surrounding kitchen cabinetry, case and toekick height, etc. Please ensure careful planning based on the specific kitchen design.



MODEL	DESCRIPTION	H	W	V	R	F	M	N	P	Q	U	L	S	MAX. PANEL WEIGHT
T18IF800SP	18-Inch Freezer Column	79 7/8" (2029 mm)	17 3/4" (451 mm)	—	—	—	—	—	—	—	—	—	—	37 lbs. (17kg)
T24IR800SP T24IF800SP	24-Inch Freezer / Fresh Food Columns	79 7/8" (2029 mm)	23 3/4" (603 mm)	—	—	—	—	—	—	—	—	—	—	50 lbs. (23kg)
T30IR800SP T30IF800SP	30-Inch Freezer / Fresh Food Columns	79 7/8" (2029 mm)	29 3/4" (756 mm)	—	—	—	—	—	—	—	—	—	—	64 lbs. (29kg)
T18ID800RP T18ID800LP	18-Inch Ice & Water Dispenser Columns	79 7/8" (2029 mm)	17 3/4" (451 mm)	—	—	—	9 1/16" (230.5 mm)	14 1/2" (368.3 mm)	32 11/16" (830.5 mm)	4 11/32" (110 mm)	—	—	—	37 lbs. (17kg)
T24ID800RP T24ID800LP	24-Inch Ice & Water Dispenser Columns	79 7/8" (2029 mm)	23 3/4" (603 mm)	—	—	—	9 1/16" (230.5 mm)	14 1/2" (368.3 mm)	32 11/16" (830.5 mm)	7 11/32" (186 mm)	—	—	—	50 lbs. (23kg)
T30IB800SP	30-Inch Two-Door Bottom Freezer	79 7/8" (2029 mm)	29 3/4" (756 mm)	—	51 11/32" (1304 mm)	28 13/32" (722 mm)	—	—	—	—	—	—	—	55 lbs. (25kg)
T36IB800SP	36-Inch Two-Door Bottom Freezer	79 7/8" (2029 mm)	35 3/4" (908 mm)	—	51 11/32" (1304 mm)	28 13/32" (722 mm)	—	—	—	—	—	—	—	55 lbs. (25kg)
T36IT800NP	36-Inch French Door Bottom Freezer	79 7/8" (2029 mm)	35 3/4" (908 mm)	17 3/4" (451 mm)	51 11/32" (1304 mm)	28 13/32" (722 mm)	—	—	—	—	—	—	—	55 lbs. (25kg)
T18IW800SP	18-Inch Wine Preservation Column	79 7/8" (2029 mm)	17 3/4" (451 mm)	—	—	—	—	—	—	—	10 1/8" (257 mm)	10 1/8" (257 mm)	3 3/4" (95 mm)	37 lbs. (17kg)
T24IW800SP	24-Inch Wine Preservation Column	79 7/8" (2029 mm)	23 3/4" (603 mm)	—	—	—	—	—	—	—	10 1/8" (257 mm)	10 1/8" (257 mm)	3 3/4" (95 mm)	50 lbs. (23kg)

NOTE #1: The cutout for the dispenser unit must be horizontally and vertically centered in the panel.

NOTE #2: For custom wine preservation column door panels, the width of the two lateral flanges of the frame may vary between 2 1/2" (64 mm) and 3 3/4" (95 mm).

FLAT STAINLESS STEEL DOOR PANELS



FRESH FOOD

TFL24IR800	24-Inch
TFL30IR800	30-Inch

FREEZER

TFL18ID800	18-Inch with Dispenser
TFL18IR800	18-Inch without Dispenser
TFL24ID800	24-Inch with Dispenser
TFL24IR800	24-Inch without Dispenser
TFL30IR800	30-Inch without Dispenser

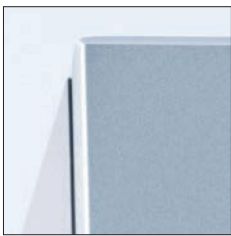
BOTTOM FREEZER

TFL30IB800	30-Inch 2-Door
TFL36IB800	36-Inch 2-Door
TFL36IT800	36-Inch French Door

WINE PRESERVATION

TFL18IW800	18-Inch
TFL24IW800	24-Inch

CHISELED STAINLESS STEEL DOOR PANELS



FRESH FOOD

TCH24IR800	24-Inch
TCH30IR800	30-Inch

FREEZER

TCH18ID800	18-Inch with Dispenser
TCH18IR800	18-Inch without Dispenser
TCH24ID800	24-Inch with Dispenser
TCH24IR800	24-Inch without Dispenser
TCH30IR800	30-Inch without Dispenser

BOTTOM FREEZER

TCH30IB800	30-Inch 2-Door
TCH36IB800	36-Inch 2-Door
TCH36IT800	36-Inch French Door

WINE PRESERVATION

TCH18IW800	18-Inch
TCH24IW800	24-Inch

INSTALLATION ACCESSORIES

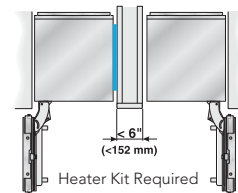
FRAMEKIT10 FREEDOM® FRAME KIT

Included with all pre-assembled bottom freezers, this adjustable frame is also available as an optional accessory for use with any custom column for installation in 24-inch (610 mm) deep cutouts. The kit includes two identical and reversible metal side trims whose placement between the interior cutout wall and the appliance helps overcome the challenge of unfinished cabinet returns.



HEATRKIT10 FREEDOM® HEATER KIT

When two appliances are installed side-by-side a sealing kit must be used. For combinations that involve a freezer column, this kit is provided. For all other (non-traditional, i.e. two wine columns, two bottom freezers, etc.) side-by-side combinations or instances where any appliances are installed less than 6" (152 mm) apart from one another but not connected side-by-side, purchase this kit. This kit is also recommended for use with any installation in areas that are subject to extreme humidity.



FILTER ACCESSORIES

REPLFLTR10 WATER FILTER

Replacement water filter for use in all freezer and bottom freezer models.

SCRNFLTR10 FILTER BY-PASS

Filter by-pass for use with existing in-home water filtration systems. For all freezer and bottom freezer models.

HANDLES

PR36HNDL10 36-INCH PROFESSIONAL PR30HNDL10* 30-INCH PROFESSIONAL



Coordinates with Thermador Professional® Series appliances.

MS36HNDL10 36-INCH MASTERPIECE® MS30HNDL10* 30-INCH MASTERPIECE®



Coordinates with Thermador Masterpiece® Series appliances.

NOTE: Choose one handle for each column, choose 2 handles for each 2-door bottom freezer and choose 3 handles for each French Door bottom freezer.

*For use with T30IB800SP bottom freezer drawer only.

FREEDOM® COLLECTION 24-INCH CUSTOM FRESH FOOD COLUMN

T24IR800SP



T24IR800SP

24-Inch Flush, Reversible Door Swing

Build Your Custom Column

See pages 230–231 for details.

SPECIFICATIONS

Total Capacity (cu. ft.)	13.1
Product Width	23 3/4"
Product Height	84"
Product Depth*	24"
Cutout Width	24"
Cutout Height	84"
Cutout Depth**	25" (24 3/4")
Door Swing Clearance	26 11/16"
Door Swing	Reversible
Annual Energy Consumption	278.13 kWh
Electrical Supply	120V/15 Amp Circuit
Power Cord Included	120V 3-Wire
Shipping Weight (lbs.)	370

*Depth without door panel

**Minimum cutout depth for flush installation with 3/4" thick panel



Contributes 1 point toward satisfying the high-efficiency appliances credit under LEED®

T24IR800SP

PERFORMANCE

- Dedicated compressor and evaporator
- FreeFlow® Cold Air System—air channel in the door ensures that items stored on the door are as cold as on the shelves
- Electronic controls for precise temperature management
- Full-width deli drawer
- FlexTemp® drawer optimized for fish, meat and produce
- Carbon air filter reduces odors and keeps air clean and fresh
- Full-length cantilever racks for ultimate adjustability
- Full-width glass shelves with metal trim
- Full-extension drawers at 90° door opening angle
- Gallon door bins
- SuperCool—chills food quickly
- Sabbath mode
- Economy mode
- Vacation mode
- Door open alarm
- ENERGY STAR® qualified

DESIGN

- Freedom® Hinge enables true flush design
- Full-height door—true cabinet integration without exposed venting grille
- All-LED sidewall and theater lighting
- Brightspace interior design
- Accepts custom or stainless steel panels
- Reversible door swing

TEMPERATURE RANGES

Refrigeration	35°F (2°C) to 46°F (8°C)
Temperature Controlled Drawer	Fish 32°F (0°C) Meat 35°F (1.5°C) Produce 37°F (3°C)
Deli Drawer	Just above 32°F (0°C)
SuperCool	35.5°F (2°C) for approximately 9 hours
Energy Saving (Economy) Mode	45°F (7°C)

ACCESSORIES

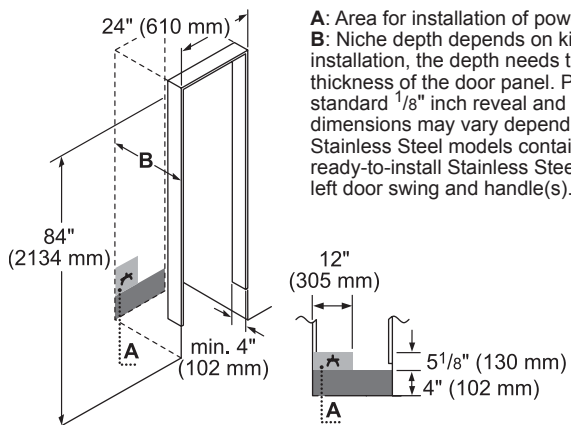
See page 245 for Freedom® Collection accessories.

TFL24IR800 24" Flat Stainless Steel Panel	PR36HNDL10 36" Professional Handle	FRAMEKIT10 Freedom® Frame Kit
TCH24IR800 24" Chiseled Stainless Steel Panel	MS36HNDL10 36" Masterpiece® Handle	HEATRKIT10 Freedom® Heater Kit

FREEDOM® COLLECTION 24-INCH CUSTOM FRESH FOOD COLUMN

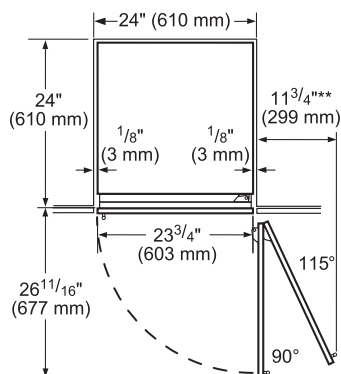
T24IR800SP

CUTOUT DIMENSIONS



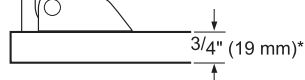
A: Area for installation of power connection.
B: Niche depth depends on kitchen design. For a flush installation, the depth needs to be at least 24 inches plus the thickness of the door panel. Panel dimensions based on a standard 1/8" inch reveal and 4 inch toe kick. Custom panel dimensions may vary depending on kitchen reveals and toe kick. Stainless Steel models contain a panel-ready base unit, ready-to-install Stainless Steel door(s) with a right or left door swing and handle(s).

TOP VIEW CLEARANCE

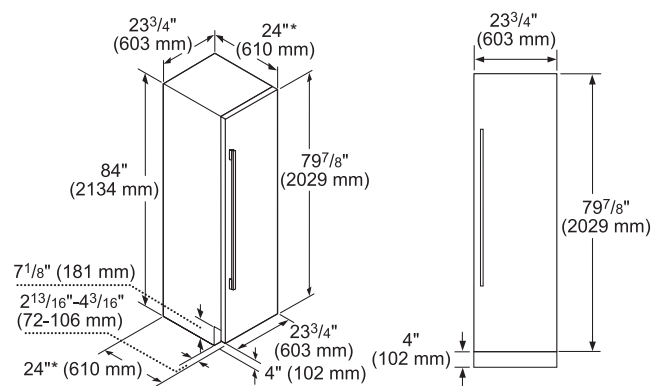


** Door handle must be added to this dimension

* Depends on the thickness of the furniture door. 3/4" (19 mm) is relevant for the stainless steel door. (special Accessory).



PANEL DIMENSIONS



*Excludes thickness of door panel. If standard panel with 3/4" thickness is mounted, total depth is 24 3/4".



All refrigerators are UL and CUL approved.

FREEDOM® COLLECTION 30-INCH CUSTOM FRESH FOOD COLUMN

T30IR800SP



T30IR800SP

30-Inch Flush, Reversible Door Swing

Build Your Custom Column

See pages 230–231 for details.

SPECIFICATIONS

Total Capacity (cu. ft.)	17.1
Product Width	29 3/4"
Product Height	84"
Product Depth*	24"
Cutout Width	30"
Cutout Height	84"
Cutout Depth**	25 (24 3/4")
Door Swing Clearance	33"
Door Swing	Reversible
Annual Energy Consumption	319.01 kWh
Electrical Supply	120V/15 Amp Circuit
Power Cord Included	120V 3-Wire
Shipping Weight (lbs.)	421

*Depth without door panel

**Minimum cutout depth for flush installation with 3/4" thick panel



Contributes 1 point toward satisfying the high-efficiency appliances credit under LEED®

T30IR800SP

PERFORMANCE

- Dedicated compressor and evaporator
- FreeFlow® Cold Air System—air channel in the door ensures that items stored on the door are as cold as on the shelves
- Electronic controls for precise temperature management
- Full-width deli drawer
- FlexTemp® drawer optimized for fish, meat and produce
- Carbon air filter reduces odors and keeps air clean and fresh
- Full-length cantilever racks for ultimate adjustability
- Full-width glass shelves with metal trim
- Full-extension drawers at 90° door opening angle
- Gallon door bins
- SuperCool—chills food quickly
- Sabbath mode
- Economy mode
- Vacation mode
- Door open alarm
- ENERGY STAR® qualified

DESIGN

- Freedom® Hinge enables true flush design
- Full-height door—true cabinet integration without exposed venting grille
- All-LED sidewall and theater lighting
- Brightspace interior design
- Accepts custom or stainless steel panels
- Reversible door swing

TEMPERATURE RANGES

Refrigerator	35°F (2°C) to 46°F (8°C)
Temperature Controlled Drawer	Fish 32°F (0°C) Meat 35°F (1.5°C) Produce 37°F (3°C)
Deli Drawer	Just above 32°F (0°C)
SuperCool	35.5°F (2°C) for approximately 9 hours
Energy Saving (Economy) Mode	45°F (7°C)

ACCESSORIES

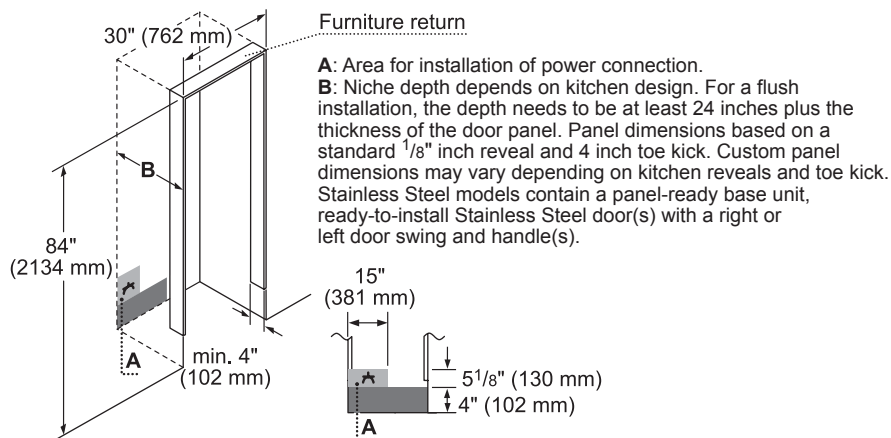
See page 245 for Freedom® Collection accessories.

TFL30IR800 30" Flat Stainless Steel Panel	PR36HNDL10 36" Professional Handle	FRAMEKIT10 Freedom® Frame Kit
TCH30IR800 30" Chiseled Stainless Steel Panel	MS36HNDL10 36" Masterpiece® Handle	HEATRKIT10 Freedom® Heater Kit

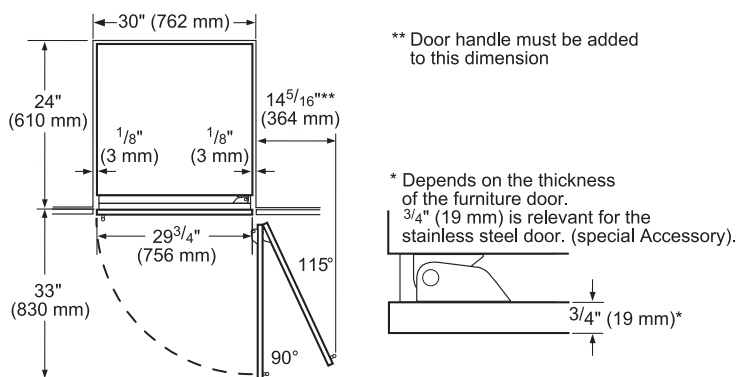
FREEDOM® COLLECTION 30-INCH CUSTOM FRESH FOOD COLUMN

T30IR800SP

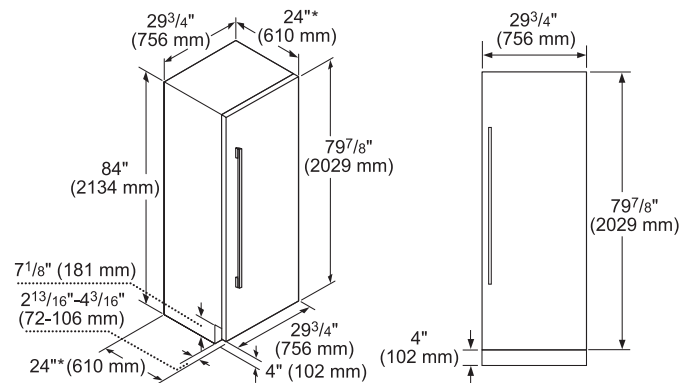
CUTOUT DIMENSIONS



TOP VIEW CLEARANCE



PANEL DIMENSIONS



*Excludes thickness of door panel. If standard panel with 3/4" thickness is mounted, total depth is 24 3/4".



All refrigerators are UL and CUL approved.

FREEDOM® COLLECTION 18-INCH CUSTOM FREEZER COLUMN

T18ID800RP / T18ID800LP / T18IF800SP



T18ID800RP

Right-Hand Door Swing

T18ID800LP

Left-Hand Door Swing

18-Inch Flush with External
Ice & Water Dispenser

Build Your Custom Column

See pages 230–231 for details.



T18IF800SP

Reversible Door Swing

18-Inch Flush with Internal
Ice Maker

Build Your Custom Column

See pages 230–231
for details.



T18ID800RP / T18ID800LP / T18IF800SP

PERFORMANCE

- Dedicated compressor and evaporator
- Electronic controls for precise temperature management
- LED-illuminated dispenser*
- Oversized dispenser opening*
- Rapid Water Replenishment System*
- Chilled water, crushed and cubed ice*
- FreeFlow® Ice System*
- Full-length cantilever racks for ultimate adjustability
- Full-width metal freezer shelves
- Full-extension drawers at 90° door opening angle
- Oversized freezer basket
- SuperFreeze® – freezes food quickly
- Sabbath mode
- Economy mode
- Vacation mode
- Door open alarm
- ENERGY STAR® qualified

DESIGN

- Freedom® Hinge enables true flush design
- All-stainless steel exterior dispenser*
- Full-height door – true cabinet integration without exposed venting grille
- All-LED sidewall and theater lighting
- Brightspace interior design
- Accepts custom or stainless steel panels

*Dispenser models only

TEMPERATURE RANGES

	T18ID800RP T18ID800LP	T18IF800SP
Freezer	-9°F (-23°C) to 7°F (-14°C)	
SuperFreeze®	-9°F (-23°C) for approximately 52 hours	
Energy Saving (Economy) Mode	3°F (-16°C)	

SPECIFICATIONS

	T18ID800RP T18ID800LP	T18IF800SP
Total Capacity (cu. ft.)	8.4	8.5
Product Width	17 3/4"	
Product Height	84"	
Product Depth*	24"	
Cutout Width	18"	
Cutout Height	84"	
Cutout Depth**	25" (24 3/4")	
Door Swing Clearance	20 11/16"	
Door Swing	Varies by Model	
Annual Energy Consumption	450.05 kWh	370.11 kWh
Electrical Supply	120V/15 Amp Circuit	
Power Cord Included	120V 3-Wire	
Shipping Weight (lbs.)	300 / 313	300

*Depth without door panel

**Minimum cutout depth for flush installation with 3/4" thick panel



Contributes 1 point toward satisfying the
high-efficiency appliances credit under LEED®

ACCESSORIES

See page 245 for Freedom® Collection accessories.

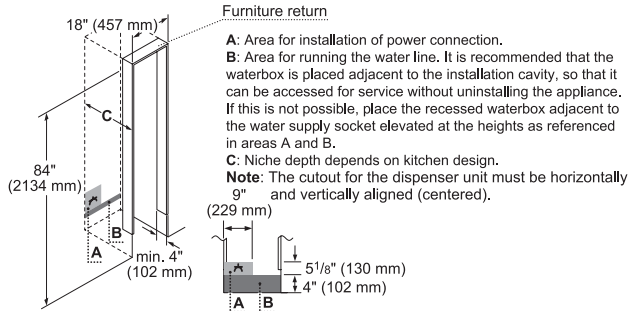
T18ID800RP / T18ID800LP		T18IF800SP	
TFL18ID800 18" Flat Stainless Steel Panel with Dispenser	TCH18ID800 18" Chiseled Stainless Steel Panel with Dispenser	TFL18IR800 18" Flat Stainless Steel Panel	TCH18IR800 18" Chiseled Stainless Steel Panel
PR36HNDL10 36" Professional Handle	MS36HNDL10 36" Masterpiece® Handle	PR36HNDL10 36" Professional Handle	MS36HNDL10 36" Masterpiece® Handle
FRAMEKIT10 Freedom® Frame Kit	HEATRKIT10 Freedom® Heater Kit	FRAMEKIT10 Freedom® Frame Kit	HEATRKIT10 Freedom® Heater Kit
REPLFLTR10 Freedom® Water Filter	SCRNFLTR10 Filter By-Pass	REPLFLTR10 Freedom® Water Filter	SCRNFLTR10 Filter By-Pass

FREEDOM® COLLECTION 18-INCH CUSTOM FREEZER COLUMN

T18ID800RP / T18ID800LP / T18IF800SP

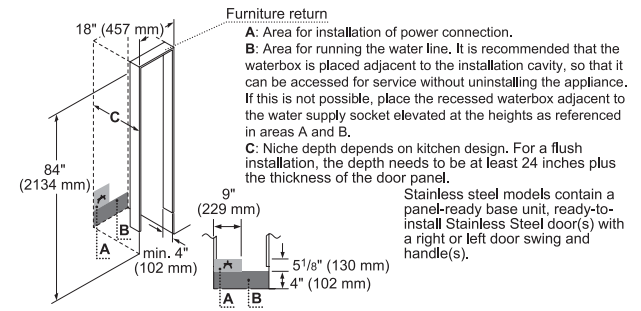
T18ID800RP / T18ID800LP

CUTOUT DIMENSIONS

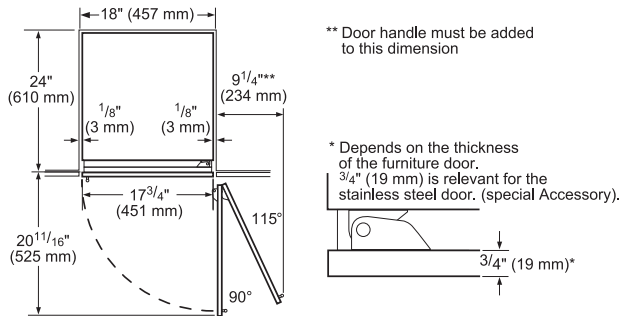


T18IF800SP

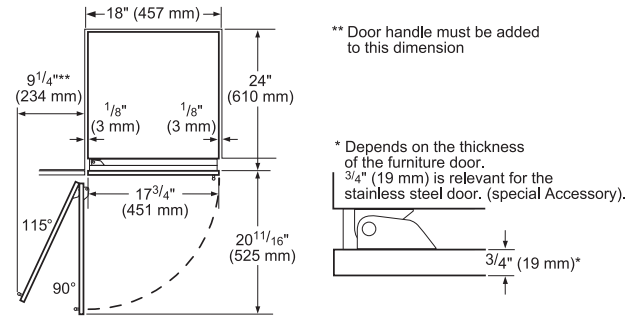
CUTOUT DIMENSIONS



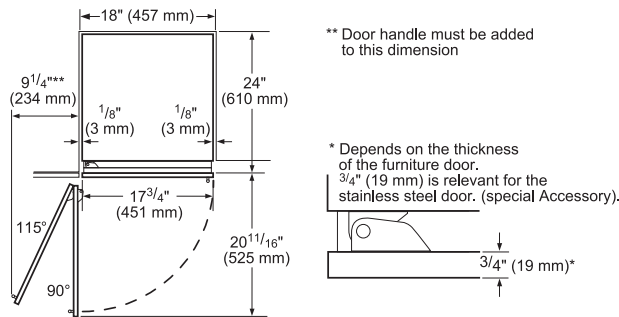
TOP VIEW CLEARANCE



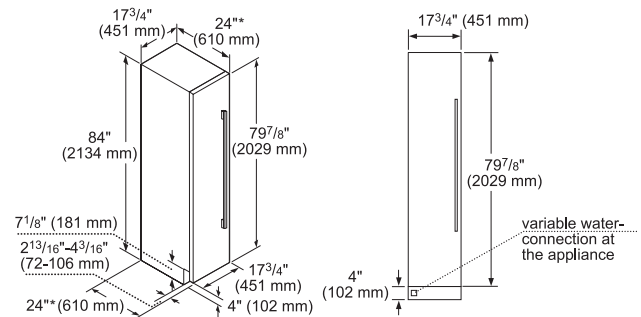
TOP VIEW CLEARANCE



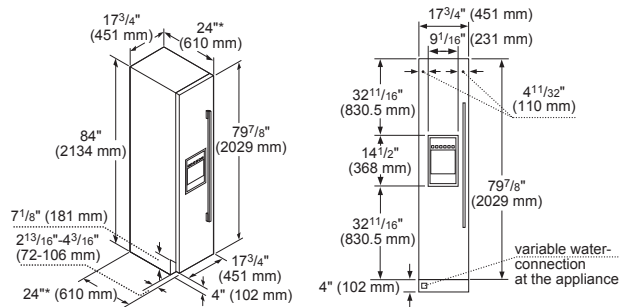
PANEL DIMENSIONS



PANEL DIMENSIONS



PANEL DIMENSIONS



*Excludes thickness of door panel. If standard panel with 3/4" thickness is mounted, total depth is 24 3/4".



All refrigerators are UL and CUL approved.

FREEDOM® COLLECTION 24-INCH CUSTOM FREEZER COLUMN

T24ID800RP / T24ID800LP / T24IF800SP



T24ID800RP

Right-Hand Door Swing

T24ID800LP

Left-Hand Door Swing

18-Inch Flush w/External
Ice & Water Dispenser

Build Your Custom Column

See pages 230–231 for details.

T24IF800SP

Reversible Door Swing

18-Inch Flush with
Internal Ice Maker

Build Your Custom Column

See pages 230–231
for details.

SPECIFICATIONS

	T24ID800RP T24ID800LP	T24IF800SP
Total Capacity (cu. ft.)	12	
Product Width	23 3/4"	
Product Height	84"	
Product Depth*	24"	
Cutout Width	24"	
Cutout Height	84"	
Cutout Depth**	25" (24 3/4")	
Door Swing Clearance	26 11/16"	
Door Swing	Varies by Model	
Annual Energy Consumption	520.13 kWh	465.01 kWh
Electrical Supply	120V/15 Amp Circuit	
Power Cord Included	120V 3-Wire	
Shipping Weight (lbs.)	375 / 370	367

*Depth without door panel

**Minimum cutout depth for flush installation with 3/4" thick panel

T24ID800RP / T24ID800LP / T24IF800SP

PERFORMANCE

- Dedicated compressor and evaporator
- Electronic controls for precise temperature management
- LED-illuminated dispenser*
- Oversized dispenser opening*
- Rapid Water Replenishment System*
- Chilled water, crushed and cubed ice*
- FreeFlow® Ice System*
- Full-length cantilever racks for ultimate adjustability
- Full-width metal freezer shelves
- Full-extension drawers at 90° door opening angle
- Oversized freezer basket
- SuperFreeze®—freezes food quickly
- Sabbath mode
- Economy mode
- Vacation mode
- Door open alarm
- ENERGY STAR® qualified


DESIGN

- Freedom® Hinge enables true flush design
- All-stainless steel exterior dispenser*
- Full-height door—true cabinet integration without exposed venting grille
- All-LED sidewall and theater lighting
- Brightspace interior design
- Accepts custom or stainless steel panels

*Dispenser models only

TEMPERATURE RANGES

	T24ID800RP T24ID800LP	T24IF800SP
Freezer	-9°F (-23°C) to 7°F (-14°C)	
SuperFreeze®	-9°F (-23°C) for approximately 52 hours	
Energy Saving (Economy) Mode	3°F (-16°C)	

 Contributes 1 point toward satisfying the high-efficiency appliances credit under LEED®

ACCESSORIES

See page 245 for Freedom® Collection accessories.

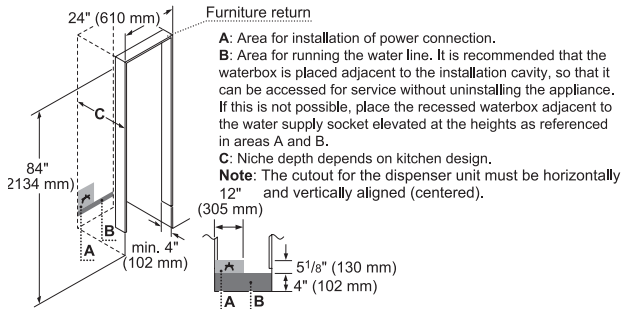
T24ID800RP / T24ID800LP		T24IF800SP	
TFL24ID800 24" Flat Stainless Steel Panel with Dispenser	TCH24ID800 24" Chiseled Stainless Steel Panel with Dispenser	TFL24IR800 24" Flat Stainless Steel Panel	TCH24IR800 24" Chiseled Stainless Steel Panel
PR36HNDL10 36" Professional Handle	MS36HNDL10 36" Masterpiece® Handle	PR36HNDL10 36" Professional Handle	MS36HNDL10 36" Masterpiece® Handle
FRAMEKIT10 Freedom® Frame Kit	HEATRKIT10 Freedom® Heater Kit	FRAMEKIT10 Freedom® Frame Kit	HEATRKIT10 Freedom® Heater Kit
REPLFLTR10 Freedom® Water Filter	SCRNFLTR10 Filter By-Pass	REPLFLTR10 Freedom® Water Filter	SCRNFLTR10 Filter By-Pass

FREEDOM® COLLECTION 24-INCH CUSTOM FREEZER COLUMN

T24ID800RP / T24ID800LP / T24IF800SP

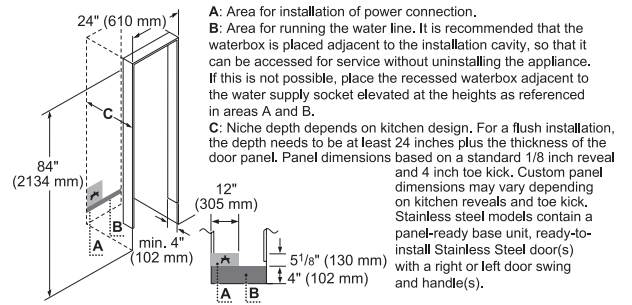
T24ID800RP / T24ID800LP

CUTOUT DIMENSIONS

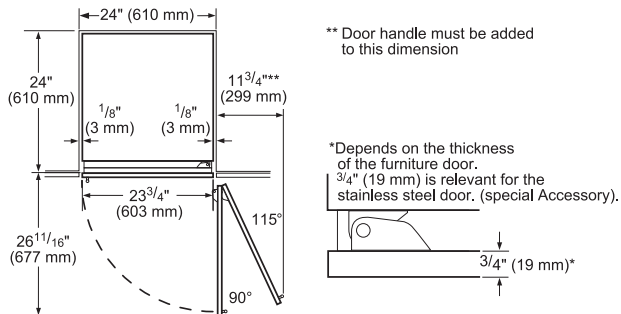


T24IF800SP

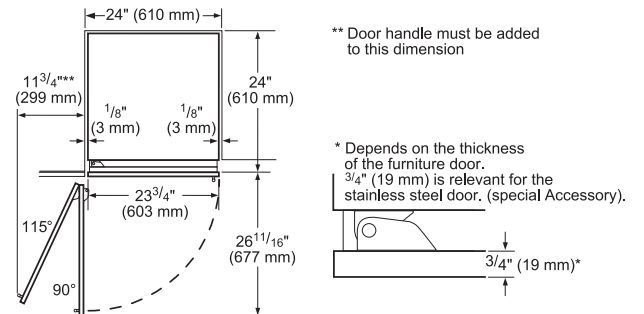
CUTOUT DIMENSIONS



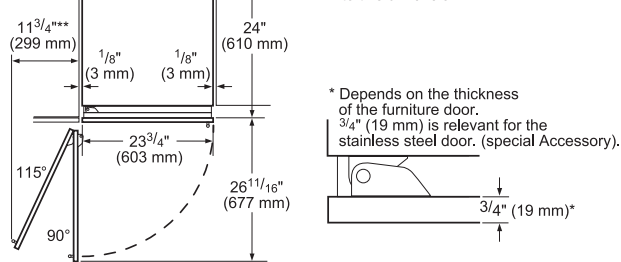
TOP VIEW CLEARANCE



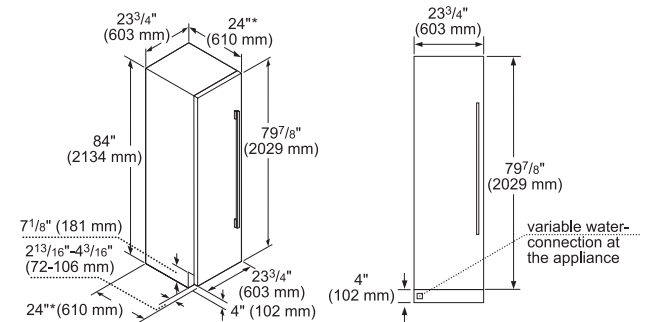
TOP VIEW CLEARANCE



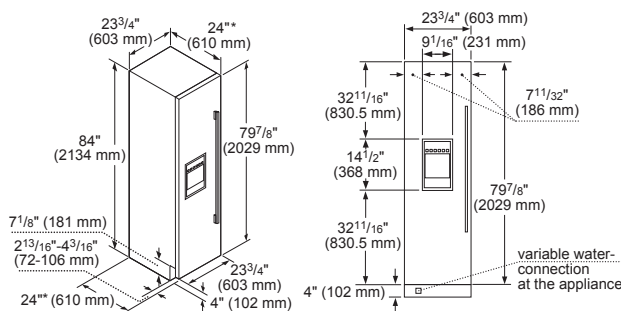
PANEL DIMENSIONS



PANEL DIMENSIONS



PANEL DIMENSIONS



*Excludes thickness of door panel. If standard panel with 3/4" thickness is mounted, total depth is 24 3/4".



All refrigerators are UL and CUL approved.

FREEDOM® COLLECTION 30-INCH CUSTOM FREEZER COLUMN

T30IF800SP



T30IF800SP

30-Inch Flush, Reversible Door Swing with Internal Ice Maker

Build Your Custom Column

See pages 230–231 for details.

SPECIFICATIONS

Total Capacity (cu. ft.)	15.7
Product Width	29 3/4"
Product Height	84"
Product Depth*	24"
Cutout Width	30"
Cutout Height	84"
Cutout Depth**	25 (24 3/4")
Door Swing Clearance	33"
Door Swing	Reversible
Annual Energy Consumption	516.84 kWh
Electrical Supply	120V/15 Amp Circuit
Power Cord Included	120V 3-Wire
Shipping Weight (lbs.)	409

*Depth without door panel

**Minimum cutout depth for flush installation with 3/4" thick panel



Contributes 1 point toward satisfying the high-efficiency appliances credit under LEED®

T30IF800SP

PERFORMANCE

- Dedicated compressor and evaporator
- Electronic controls for precise temperature management
- Full-length cantilever racks for ultimate adjustability
- Full-width metal freezer shelves
- Full-extension drawers at 90° door opening angle
- Oversized freezer basket
- Discrete and filtered ice maker
- Ultra-capacity ice drawer with flexible ice bin
- SuperFreeze®—freezes food quickly
- Sabbath mode
- Economy mode
- Vacation mode
- Door open alarm
- ENERGY STAR® qualified

DESIGN

- Freedom® Hinge enables true flush design
- Full-height door—true cabinet integration without exposed venting grille
- All-LED sidewall and theater lighting
- Brightspace interior design
- Accepts custom or stainless steel panels
- Reversible door swing

TEMPERATURE RANGES

Freezer	-9°F (-23°C) to 7°F (-14°C)
SuperFreeze®	-9°F (-23°C) for approximately 52 hours
Energy Saving (Economy) Mode	3°F (-16°C)

ACCESSORIES

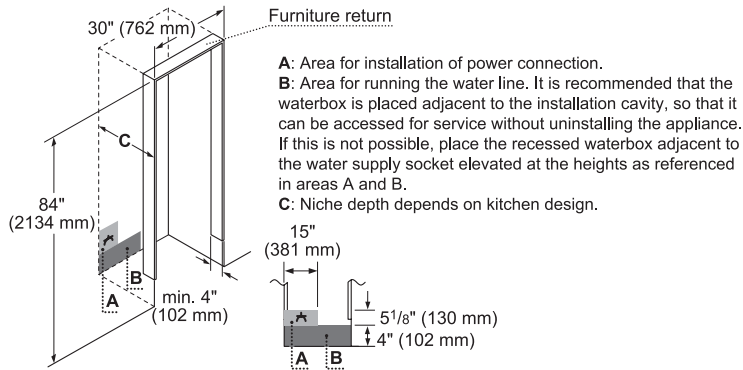
See page 245 for Freedom® Collection accessories.

TFL30IR800 30" Flat Stainless Steel Panel	PR36HNDL10 36" Professional Handle	FRAMEKIT10 Freedom® Frame Kit	REPLFLTR10 Freedom® Water Filter
TCH30IR800 30" Chiseled Stainless Steel Panel	MS36HNDL10 36" Masterpiece® Handle	HEATRKIT10 Freedom® Heater Kit	SCRNFLTR10 Filter By-Pass

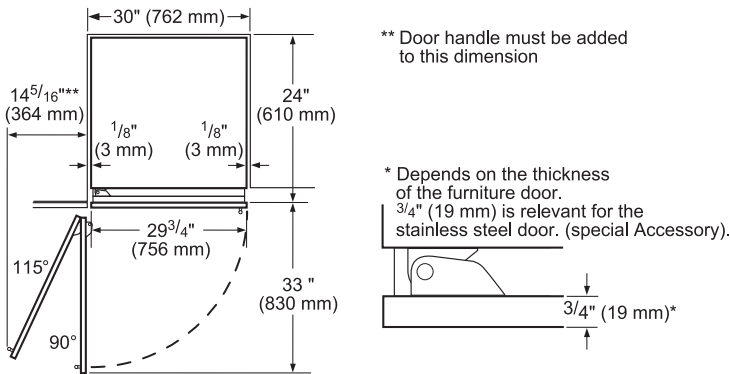
FREEDOM® COLLECTION 30-INCH CUSTOM FREEZER COLUMN

T30IF800SP

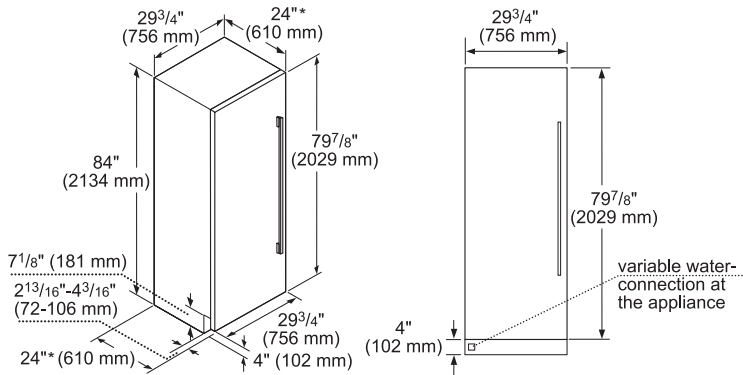
CUTOUT DIMENSIONS



TOP VIEW CLEARANCE



PANEL DIMENSIONS



*Excludes thickness of door panel. If standard panel with 3/4" thickness is mounted, total depth is 24 3/4".



All refrigerators are UL and CUL approved.

FREEDOM® COLLECTION

30-INCH CUSTOM 2-DOOR BOTTOM FREEZER

T30IB800SP



T30IB800SP

30-Inch Flush, 2-Door, Reversible Door Swing

Build Your Custom Column

See pages 230–231 for details.

SPECIFICATIONS

Total Capacity (cu. ft.)	16
Refrigerator Capacity (cu. ft.)	11
Freezer Capacity (cu. ft.)	5
Product Width	29 3/4"
Product Height	84"
Product Depth*	24"
Cutout Width	30"
Cutout Height	84"
Cutout Depth**	25" (24 3/4")
Door Swing Clearance	33"
Door Swing	Reversible
Annual Energy Consumption	388 kWh
Electrical Supply	120V/15 Amp Circuit
Power Cord Included	120V 3-Wire
Shipping Weight (lbs.)	503

*Depth without door panel

**Minimum cutout depth for flush installation with 3/4" thick panel



Contributes 1 point toward satisfying the high-efficiency appliances credit under LEED®

T30IB800SP

PERFORMANCE

- Dual compressor and dual evaporator
- Electronic controls for precise temperature management
- Full-width deli drawer
- Carbon air filter reduces odors and keeps air clean and fresh
- Full-length cantilever racks for ultimate adjustability
- Full-width glass shelves with metal trim
- Full-extension drawers at 90° door opening angle
- Gallon door bins
- Large capacity freezer drawer
- Filtered ice maker
- SuperCool—chills food quickly
- SuperFreeze®—freezes food quickly
- Sabbath mode
- Economy mode
- Vacation mode
- Door open alarm
- ENERGY STAR® qualified

DESIGN

- Freedom® Hinge enables true flush design
- Full-height door—true cabinet integration without exposed venting grille
- All-LED sidewall and theater lighting
- Brightspace interior design
- Accepts custom or stainless steel panels
- Reversible door swing

TEMPERATURE RANGES

Refrigerator	35°F (2°C) to 46°F (8°C)
Freezer	-9°F (-23°C) to 7°F (-14°C)
Temperature Controlled Drawer	Fish 32°F (0°C) Meat 35°F (1.5°C) Produce 37°F (3°C)
Deli Drawer	Just above 32°F (0°C)
SuperCool	35.5°F (2°C) for approximately 9 hours
SuperFreeze®	-9°F (-23°C) for approximately 52 hours
Energy Saving (Economy) Mode	Refrigerator: 45°F (7°C) Freezer: 3°F (-16°C)

ACCESSORIES

See page 245 for Freedom® Collection accessories.

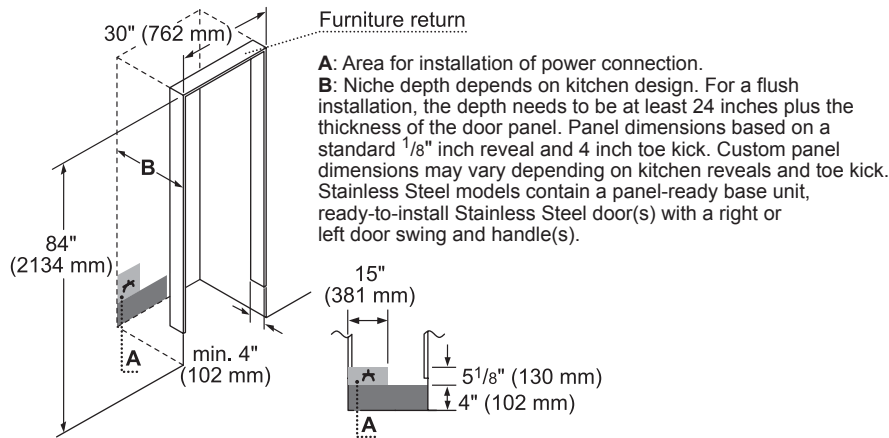
TFL30IB800 30" Flat Stainless Steel Panel Kit	PR36HNDL10 36" Professional Handle	MS36HNDL10 36" Masterpiece® Handle	FRAMEKIT10 Freedom® Frame Kit
TCH30IB800 30" Chiseled Stainless Steel Panel Kit	PR30HNDL10 30" Professional Handle	MS30HNDL10 30" Masterpiece® Handle	HEATRKIT10 Freedom® Heater Kit
REPLFLTR10 Freedom® Water Filter	SCRNFLTR10 Filter By-Pass		

NOTE: This appliance requires one 36-inch handle for the door and one 30-inch handle for the bottom freezer drawer.

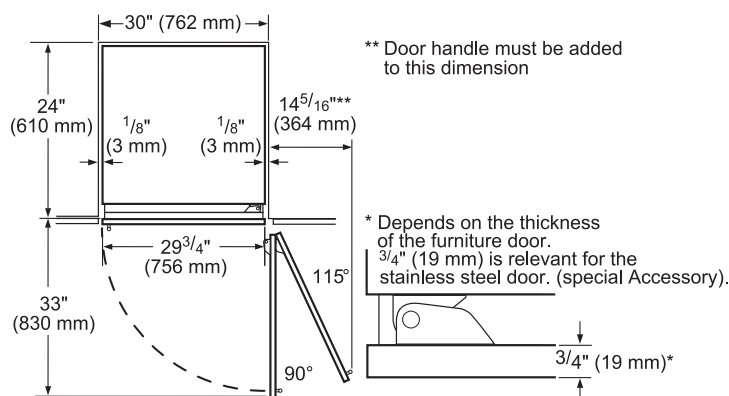
FREEDOM® COLLECTION 30-INCH CUSTOM 2-DOOR BOTTOM FREEZER

T30IB800SP

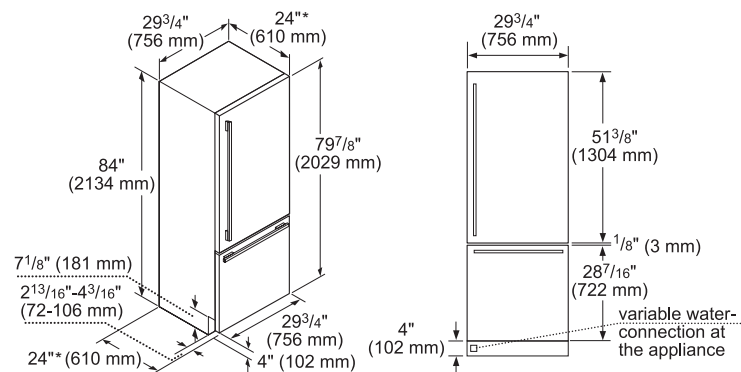
CUTOUT DIMENSIONS



TOP VIEW CLEARANCE



PANEL DIMENSIONS



All refrigerators are UL and CUL approved.

FREEDOM® COLLECTION 30-INCH PRE-ASSEMBLED 2-DOOR BOTTOM FREEZER

T30BB810SS / T30BB820SS



T30BB810SS

30-Inch, 2-Door
Reversible
Door Swing

Pre-Assembled
with Flat Stainless
Steel Panels and
Masterpiece®
Handles

See pages 230–
231 for details.

T30BB820SS

30-Inch, 2-Door
Reversible
Door Swing

Pre-Assembled
with Flat Stainless
Steel Panels and
Professional
Handles

See pages 230–
231 for details.

T30BB810SS / T30BB820SS

PERFORMANCE

- Dual compressor and dual evaporator
- Electronic controls for precise temperature management
- Full-width deli drawer
- Carbon air filter reduces odors and keeps air clean and fresh
- Full-length cantilever racks for ultimate adjustability
- Full-width glass shelves with metal trim
- Full-extension drawers at 90° door opening angle
- Gallon door bins
- Large capacity freezer drawer
- Filtered ice maker
- SuperCool—chills food quickly
- SuperFreeze®—freezes food quickly
- Sabbath mode
- Economy mode
- Vacation mode
- Door open alarm
- ENERGY STAR® qualified

DESIGN

- Freedom® Hinge enables true flush design
- Full-height door—true cabinet integration without exposed venting grille
- All-LED sidewall and theater lighting
- Brightspace interior design
- Flat stainless steel door panel kit, pre-assembled
- Handle kit, pre-assembled
- Frame included for 24" deep cutouts, pre-assembled
- Reversible door swing

SPECIFICATIONS

Total Capacity (cu. ft.)	16
Refrigerator Capacity (cu. ft.)	11
Freezer Capacity (cu. ft.)	5
Product Width	29 3/4"
Product Height	84"
Product Depth	24 3/4"
Cutout Width	30"
Cutout Height	84"
Cutout Depth*	24" or 25"
Door Swing Clearance	33"
Door Swing	Reversible
Annual Energy Consumption	388 kWh
Electrical Supply	120V/15 Amp Circuit
Power Cord Included	120V 3-Wire
Shipping Weight (lbs.)	492

*Cutout depth for installation with frame is 24". Remove frame for flush installation at 25" depth.



Contributes 1 point toward satisfying the high-efficiency appliances credit under LEED®

TEMPERATURE RANGES

Refrigerator	35°F (2°C) to 46°F (8°C)
Freezer	-9°F (-23°C) to 7°F (-14°C)
Temperature Controlled Drawer	Fish 32°F (0°C) Meat 35°F (1.5°C) Produce 37°F (3°C)
Deli Drawer	Just above 32°F (0°C)
SuperCool	35.5°F (2°C) for approximately 9 hours
SuperFreeze®	-9°F (-23°C) for approximately 52 hours
Energy Saving (Economy) Mode	Refrigerator: 45°F (7°C) Freezer: 3°F (-16°C)

ACCESSORIES

See page 245 for Freedom® Collection accessories.

HEATRKIT10
Freedom® Heater Kit

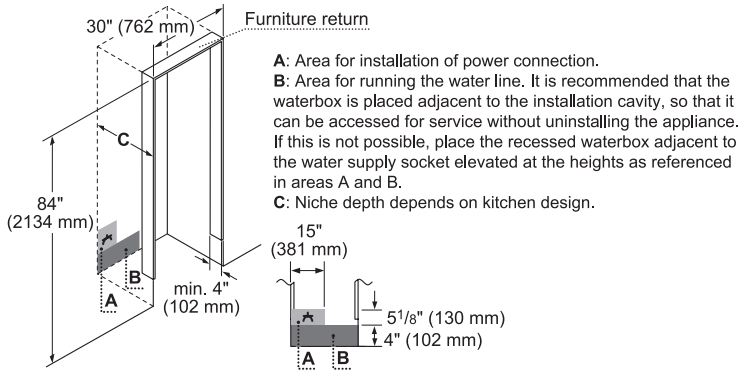
REPLFLTR10
Freedom® Water Filter

SCRNFLTR10
Filter By-Pass

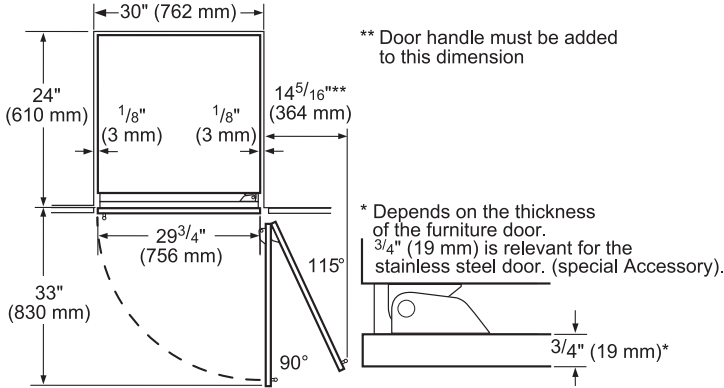
FREEDOM® COLLECTION 30-INCH PRE-ASSEMBLED 2-DOOR BOTTOM FREEZER

T30BB810SS / T30BB820SS

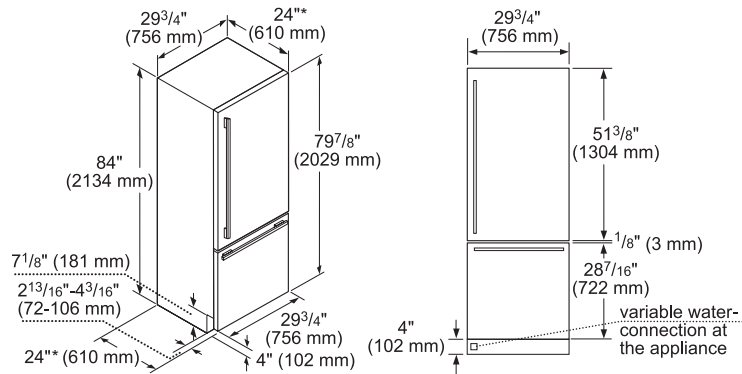
CUTOUT DIMENSIONS



TOP VIEW CLEARANCE



PANEL DIMENSIONS



*Excludes thickness of door panel. If standard panel with 3/4" thickness is mounted, total depth is 24 3/4".



All refrigerators are UL and CUL approved.

FREEDOM® COLLECTION 36-INCH CUSTOM 2-DOOR BOTTOM FREEZER

T36IB800SP



T36IB800SP

36-Inch Flush, 2-Door, Reversible Door Swing

Build Your Custom Column

See pages 230–231 for details.

SPECIFICATIONS

Total Capacity (cu. ft.)	19.7
Refrigerator Capacity (cu. ft.)	14
Freezer Capacity (cu. ft.)	6
Product Width	35 3/4"
Product Height	84"
Product Depth*	24"
Cutout Width	36"
Cutout Height	84"
Cutout Depth**	25" (24 3/4")
Door Swing Clearance	38 11/16"
Door Swing	Reversible
Annual Energy Consumption	451.87 kWh
Electrical Supply	120V/15 Amp Circuit
Power Cord Included	120V 3-Wire
Shipping Weight (lbs.)	529

*Depth without door panel

**Minimum cutout depth for flush installation with 3/4" thick panel



Contributes 1 point toward satisfying the high-efficiency appliances credit under LEED®

T36IB800SP

PERFORMANCE

- Dual compressor and dual evaporator
- Electronic controls for precise temperature management
- Full-width deli drawer
- Carbon air filter reduces odors and keeps air clean and fresh
- Full-length cantilever racks for ultimate adjustability
- Full-width glass shelves with metal trim
- Full-extension drawers at 90° door opening angle
- Gallon door bins
- Large capacity freezer drawer
- Filtered ice maker
- SuperCool—chills food quickly
- SuperFreeze®—freezes food quickly
- Sabbath mode
- Economy mode
- Vacation mode
- Door open alarm
- ENERGY STAR® qualified

DESIGN

- Freedom® Hinge enables true flush design
- Full-height door—true cabinet integration without exposed venting grille
- All-LED sidewall and theater lighting
- Brightspace interior design
- Accepts custom or stainless steel panels
- Reversible door swing

TEMPERATURE RANGES

Refrigerator	35°F (2°C) to 46°F (8°C)
Freezer	-9°F (-23°C) to 7°F (-14°C)
Temperature Controlled Drawer	Fish 32°F (0°C) Meat 35°F (1.5°C) Produce 37°F (3°C)
Deli Drawer	Just above 32°F (0°C)
SuperCool	35.5°F (2°C) for approximately 9 hours
SuperFreeze®	-9°F (-23°C) for approximately 52 hours
Energy Saving (Economy) Mode	Refrigerator: 45°F (7°C) Freezer: 3°F (-16°C)

ACCESSORIES

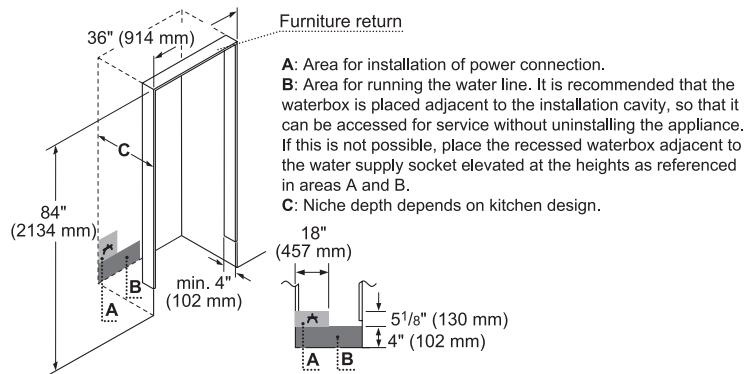
See page 245 for Freedom® Collection accessories.

TFL36IB800 36" Flat Stainless Steel Panel Kit	PR36HNDL10 36" Professional Handle	FRAMEKIT10 Freedom® Frame Kit	REPLFLTR10 Freedom® Water Filter
TCH36IB800 36" Chiseled Stainless Steel Panel Kit	MS36HNDL10 36" Masterpiece® Handle	HEATRKIT10 Freedom® Heater Kit	SCRNFLTR10 Filter By-Pass

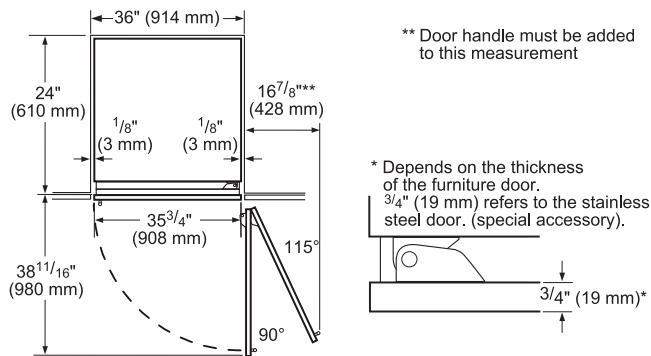
FREEDOM® COLLECTION 36-INCH CUSTOM 2-DOOR BOTTOM FREEZER

T36IB800SP

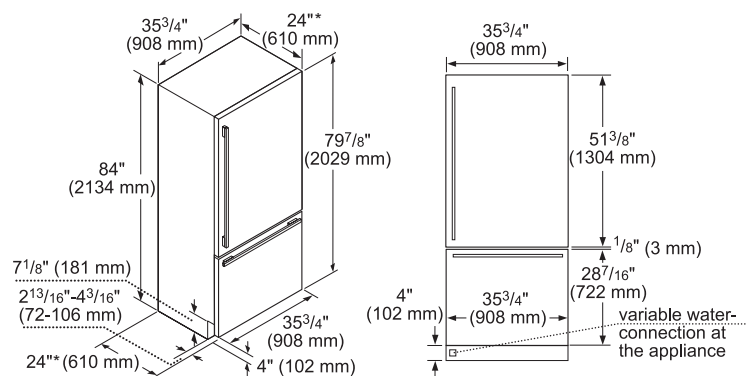
CUTOUT DIMENSIONS



TOP VIEW CLEARANCE



PANEL DIMENSIONS



All refrigerators are UL and CUL approved.

FREEDOM® COLLECTION

36-INCH PRE-ASSEMBLED 2-DOOR BOTTOM FREEZER

T36BB810SS / T36BB820SS



T36BB810SS

36-Inch, 2-Door
Reversible
Door Swing

Pre-Assembled
with Flat Stainless
Steel Panels and
Masterpiece®
Handles

See pages 230–
231 for details.

T36BB820SS

36-Inch, 2-Door
Reversible
Door Swing

Pre-Assembled
with Flat Stainless
Steel Panels and
Professional
Handles

See pages 230–
231 for details.

SPECIFICATIONS

Total Capacity (cu. ft.)	19.7
Refrigerator Capacity (cu. ft.)	14
Freezer Capacity (cu. ft.)	6
Product Width	35 3/4"
Product Height	84"
Product Depth	24 3/4"
Cutout Width	36"
Cutout Height	84"
Cutout Depth*	24" or 25"
Door Swing Clearance	38 11/16"
Door Swing	Reversible
Annual Energy Consumption	451.87 kWh
Electrical Supply	120V/15 Amp Circuit
Power Cord Included	120V 3-Wire
Shipping Weight (lbs.)	529

*Cutout depth for installation with frame is 24". Remove frame for flush installation at 25" depth.



Contributes 1 point toward satisfying the high-efficiency appliances credit under LEED®

T36BB810SS / T36BB820SS

PERFORMANCE

- Dual compressor and dual evaporator
- Electronic controls for precise temperature management
- Full-width deli drawer
- Carbon air filter reduces odors and keeps air clean and fresh
- Full-length cantilever racks for ultimate adjustability
- Full-width glass shelves with metal trim
- Full-extension drawers at 90° door opening angle
- Gallon door bins
- Large capacity freezer drawer
- Filtered ice maker
- SuperCool—chills food quickly
- SuperFreeze®—freezes food quickly
- Sabbath mode
- Economy mode
- Vacation mode
- Door open alarm
- ENERGY STAR® qualified

DESIGN

- Freedom® Hinge enables true flush design
- Full-height door—true cabinet integration without exposed venting grille
- All-LED sidewall and theater lighting
- Brightspace interior design
- Flat stainless steel door panel kit, pre-assembled
- Handle kit, pre-assembled
- Frame included for 24" deep cutouts, pre-assembled
- Reversible door swing

TEMPERATURE RANGES

Refrigerator	35°F (2°C) to 46°F (8°C)
Freezer	-9°F (-23°C) to 7°F (-14°C)
Temperature Controlled Drawer	Fish 32°F (0°C) Meat 35°F (1.5°C) Produce 37°F (3°C)
Deli Drawer	Just above 32°F (0°C)
SuperCool	35.5°F (2°C) for approximately 9 hours
SuperFreeze®	-9°F (-23°C) for approximately 52 hours
Energy Saving (Economy) Mode	Refrigerator: 45°F (7°C) Freezer: 3°F (-16°C)

ACCESSORIES

See page 245 for Freedom® Collection accessories.

HEATRKIT10
Freedom® Heater Kit

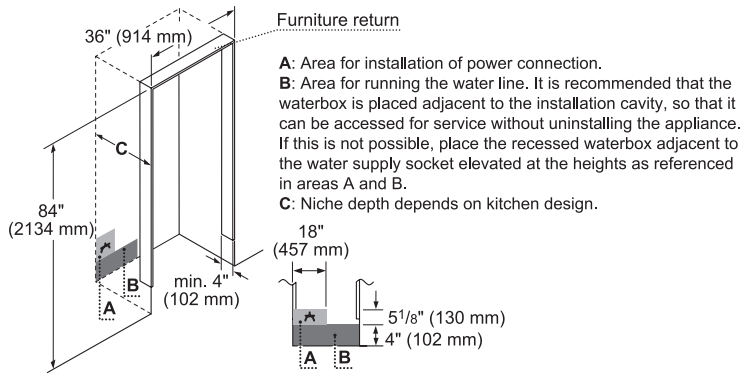
REPLFLTR10
Freedom® Water Filter

SCRNFLTR10
Filter By-Pass

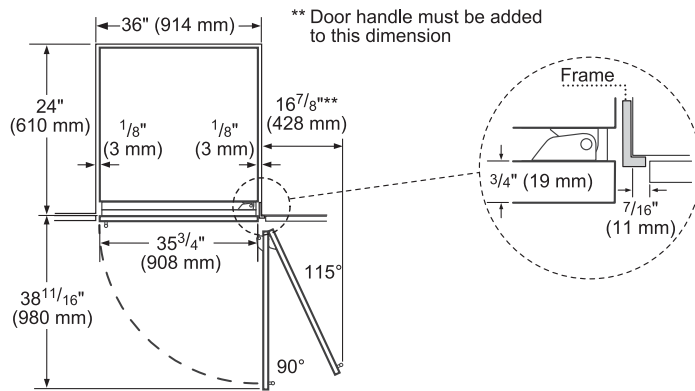
FREEDOM® COLLECTION 36-INCH PRE-ASSEMBLED 2-DOOR BOTTOM FREEZER

T36BB810SS / T36BB820SS

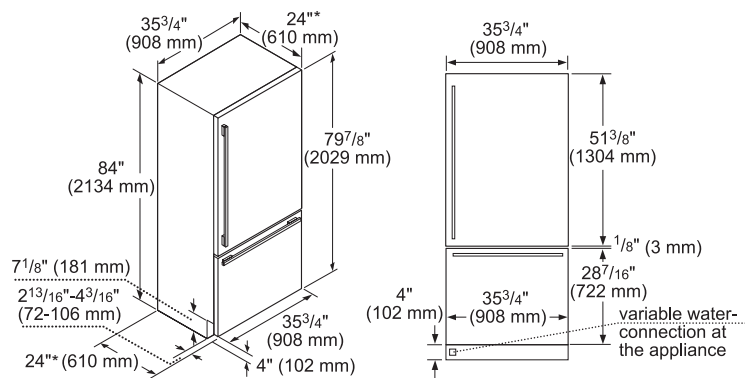
CUTOUT DIMENSIONS



TOP VIEW CLEARANCE



PANEL DIMENSIONS



*Excludes thickness of door panel. If standard panel with 3/4" thickness is mounted, total depth is 24 3/4".



All refrigerators are UL and CUL approved.

FREEDOM® COLLECTION 36-INCH CUSTOM FRENCH DOOR BOTTOM FREEZER

T36IT800NP



T36IT800NP

36-Inch Flush, French Door

Build Your Custom Column

See pages 230–231 for details.

SPECIFICATIONS

Total Capacity (cu. ft.)	19.5
Refrigerator Capacity (cu. ft.)	14
Freezer Capacity (cu. ft.)	6
Product Width	35 3/4"
Product Height	84"
Product Depth*	24"
Cutout Width	36"
Cutout Height	84"
Cutout Depth**	25" (24 3/4")
Door Swing Clearance	20 15/16"
Annual Energy Consumption	447.86 kWh
Electrical Supply	120V/15 Amp Circuit
Power Cord Included	120V 3-Wire
Shipping Weight (lbs.)	545

*Depth without door panel

**Minimum cutout depth for flush installation with 3/4" thick panel



Contributes 1 point toward satisfying the high-efficiency appliances credit under LEED®

T36IT800NP

PERFORMANCE

- Dual compressor and dual evaporator
- Electronic controls for precise temperature management
- Full-width deli drawer
- Carbon air filter reduces odors and keeps air clean and fresh
- Full-length cantilever racks for ultimate adjustability
- Full-width glass shelves with metal trim
- Full-extension drawers at 90° door opening angle
- Gallon door bins
- Large capacity freezer drawer
- Filtered ice maker
- SuperCool—chills food quickly
- SuperFreeze®—freezes food quickly
- Sabbath mode
- Economy mode
- Vacation mode
- Door open alarm
- ENERGY STAR® qualified

DESIGN

- Freedom® Hinge enables true flush design
- Full-height door—true cabinet integration without exposed venting grille
- All-LED sidewall and theater lighting
- Brightspace interior design
- Accepts custom or stainless steel panels

TEMPERATURE RANGES

Refrigerator	35°F (2°C) to 46°F (8°C)
Freezer	-9°F (-23°C) to 7°F (-14°C)
Temperature Controlled Drawer	Fish 32°F (0°C) Meat 35°F (1.5°C) Produce 37°F (3°C)
Deli Drawer	Just above 32°F (0°C)
SuperCool	35.5°F (2°C) for approximately 9 hours
SuperFreeze®	-9°F (-23°C) for approximately 52 hours
Energy Saving (Economy) Mode	Refrigerator: 45°F (7°C) Freezer: 3°F (-16°C)

ACCESSORIES

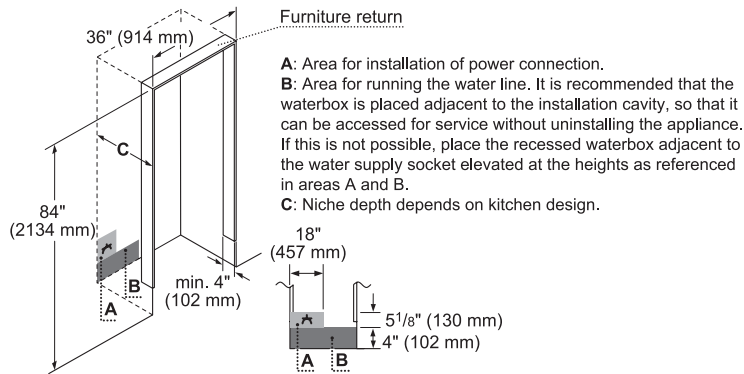
See page 245 for Freedom® Collection accessories.

TFL36IT800 36" Flat Stainless Steel Panel Kit	PR36HNDL10 36" Professional Handle	FRAMEKIT10 Freedom® Frame Kit	REPLFLTR10 Freedom® Water Filter
TCH36IT800 36" Chiseled Stainless Steel Panel Kit	MS36HNDL10 36" Masterpiece® Handle	HEATRKIT10 Freedom® Heater Kit	SCRNFLTR10 Filter By-Pass

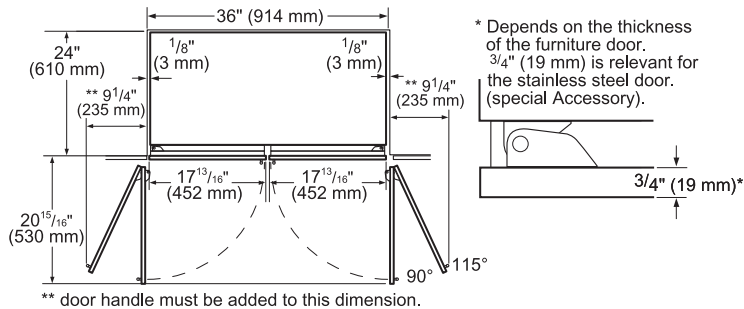
FREEDOM® COLLECTION 36-INCH CUSTOM FRENCH DOOR BOTTOM FREEZER

T36IT800NP

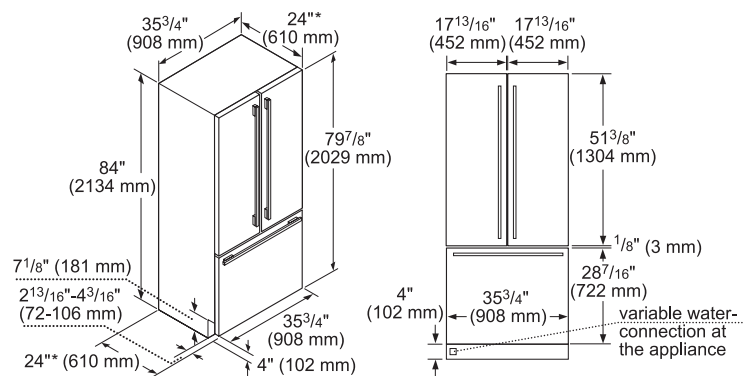
CUTOUT DIMENSIONS



TOP VIEW CLEARANCE



PANEL DIMENSIONS



*Excludes thickness of door panel. If standard panel with 3/4" thickness is mounted, total depth is 24 3/4".



All refrigerators are UL and CUL approved.

FREEDOM® COLLECTION 36-INCH PRE-ASSEMBLED FRENCH DOOR BOTTOM FREEZER

T36BT810NS / T36BT820NS



T36BT810NS

36-Inch,
French Door

Pre-Assembled
with Flat
Stainless Steel
Panels and
Masterpiece®
Handles

See pages 230–
231 for details.

T36BT820NS

36-Inch,
French Door

Pre-Assembled
with Flat
Stainless Steel
Panels and
Professional
Handles

See pages 230–
231 for details.

SPECIFICATIONS

Total Capacity (cu. ft.)	19.5
Refrigerator Capacity (cu. ft.)	14
Freezer Capacity (cu. ft.)	6
Product Width	35 3/4"
Product Height	84"
Product Depth	24 3/4"
Cutout Width	36"
Cutout Height	84"
Cutout Depth*	24" or 25"
Door Swing Clearance	20 15/16"
Annual Energy Consumption	447.86 kWh
Electrical Supply	120V/15 Amp Circuit
Power Cord Included	120V 3-Wire
Shipping Weight (lbs.)	666

*Cutout depth for installation with frame is 24". Remove frame for flush installation at 25" depth.



Contributes 1 point toward satisfying the high-efficiency appliances credit under LEED®

T36BT810NS / T36BT820NS

PERFORMANCE

- Dual compressor and dual evaporator
- Electronic controls for precise temperature management
- Full-width deli drawer
- Carbon air filter reduces odors and keeps air clean and fresh
- Full-length cantilever racks for ultimate adjustability
- Full-width glass shelves with metal trim
- Full-extension drawers at 90° door opening angle
- Gallon door bins
- Large capacity freezer drawer
- Filtered ice maker
- SuperCool—chills food quickly
- SuperFreeze®—freezes food quickly
- Sabbath mode
- Economy mode
- Vacation mode
- Door open alarm
- ENERGY STAR® qualified

DESIGN

- Freedom® Hinge enables true flush design
- Full-height door—true cabinet integration without exposed venting grille
- All-LED sidewall and theater lighting
- Brightspace interior design
- Flat stainless steel door panel kit, pre-assembled
- Handle kit, pre-assembled
- Frame included for 24" deep cutouts, pre-assembled

TEMPERATURE RANGES

Refrigerator	35°F (2°C) to 46°F (8°C)
Freezer	-9°F (-23°C) to 7°F (-14°C)
Temperature Controlled Drawer	Fish 32°F (0°C) Meat 35°F (1.5°C) Produce 37°F (3°C)
Deli Drawer	Just above 32°F (0°C)
SuperCool	35.5°F (2°C) for approximately 9 hours
SuperFreeze®	-9°F (-23°C) for approximately 52 hours
Energy Saving (Economy) Mode	Refrigerator: 45°F (7°C) Freezer: 3°F (-16°C)

ACCESSORIES

See page 245 for Freedom® Collection accessories.

HEATRKIT10
Freedom® Heater Kit

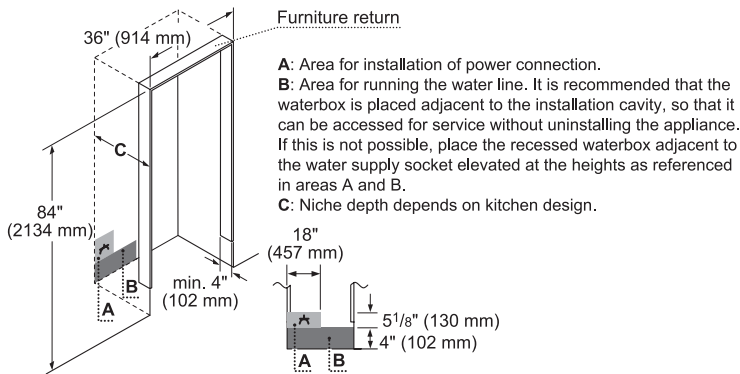
REPLFLTR10
Freedom® Water Filter

SCRNFLTR10
Filter By-Pass

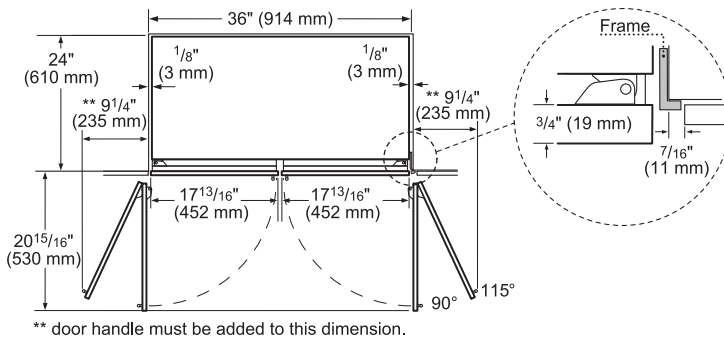
FREEDOM® COLLECTION 36-INCH PRE-ASSEMBLED FRENCH DOOR BOTTOM FREEZER

T36BT810NS / T36BT820NS

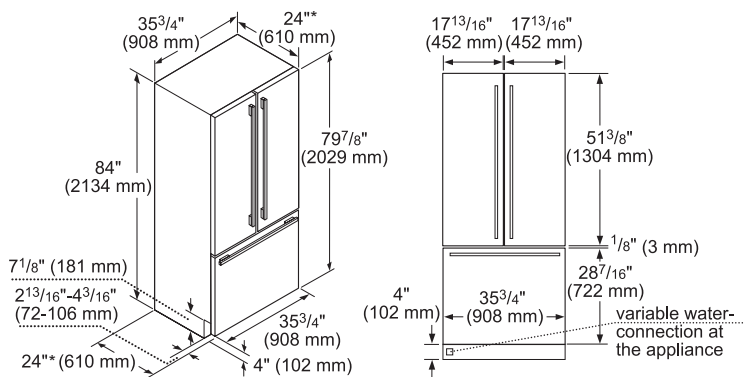
CUTOUT DIMENSIONS



TOP VIEW CLEARANCE



PANEL DIMENSIONS



*Excludes thickness of door panel. If standard panel with 3/4" thickness is mounted, total depth is 24 3/4".



All refrigerators are UL and CUL approved.

FREEDOM® COLLECTION

18-INCH CUSTOM WINE PRESERVATION COLUMN

T18IW800SP



T18IW800SP

18-Inch Flush, Reversible Door Swing

Build Your Custom Column

See pages 230–231 for details.

SPECIFICATIONS

Bottle Capacity (750 ml)	70
Product Width	17 3/4"
Product Height	84"
Product Depth*	24"
Cutout Width	18"
Cutout Height	84"
Cutout Depth**	25" (24 3/4")
Door Swing Clearance	20 11/16"
Door Swing	Reversible
Annual Energy Consumption	365 kWh
Electrical Supply	120V/15 Amp Circuit
Power Cord Included	120V 3-Wire
Shipping Weight (lbs.)	314

*Depth without door panel

**Minimum cutout depth for flush installation with 3/4" thick panel



Contributes 1 point toward satisfying the high-efficiency appliances credit under LEED®

T18IW800SP

PERFORMANCE

- Dual temperature and humidity wine preservation
- Isolated compressors for vibration reduction
- Dedicated compressor and evaporator
- Electronic controls for precise temperature management
- Tempered and UV-protective glass doors
- Full-extension dark exotic hardwood wine racks
- Carbon air filter reduces odors and keeps air clean and fresh
- Portable aluminum wine presenter
- Sabbath mode
- Economy mode
- Vacation mode
- Door open alarm

DESIGN

- Freedom® Hinge enables true flush design
- Full-height door – true cabinet integration without exposed venting grille
- All-LED interior lighting
- Accepts custom or stainless steel panels
- Reversible door swing

TEMPERATURE RANGES

Upper Zone	41°F (5°C) to 64°F (18°C)
Lower Zone	41°F (5°C) to 64°F (18°C)

ACCESSORIES

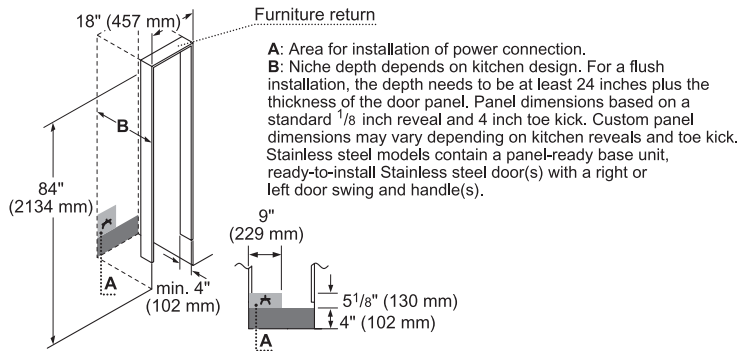
See page 245 for Freedom® Collection accessories.

TFL18IW800 18" Flat Stainless Steel Panel	PR36HNDL10 36" Professional Handle	FRAMEKIT10 Freedom® Frame Kit
TCH18IW800 18" Chiseled Stainless Steel Panel	MS36HNDL10 36" Masterpiece® Handle	HEATRKIT10 Freedom® Heater Kit

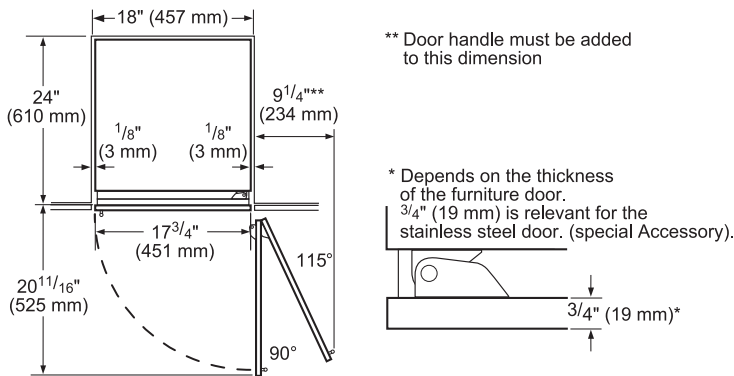
FREEDOM® COLLECTION 18-INCH CUSTOM WINE PRESERVATION COLUMN

T18IW800SP

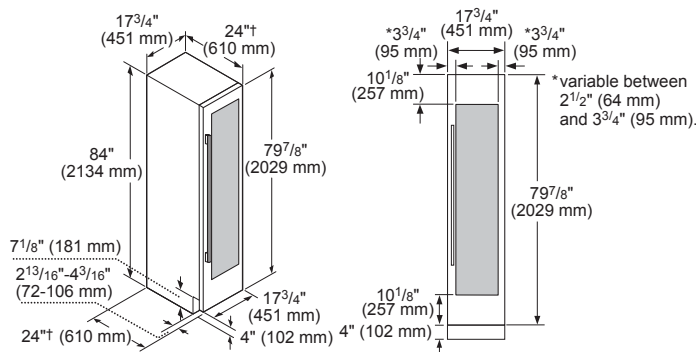
CUTOUT DIMENSIONS



TOP VIEW CLEARANCE



PANEL DIMENSIONS



All refrigerators are UL and CUL approved.

FREEDOM® COLLECTION 24-INCH CUSTOM WINE PRESERVATION COLUMN

T24IW800SP



T24IW800SP

24-Inch Flush, Reversible Door Swing

Build Your Custom Column

See pages 230–231 for details.

SPECIFICATIONS

Bottle Capacity (750 ml)	98
Product Width	23 3/4"
Product Height	84"
Product Depth*	24"
Cutout Width	24"
Cutout Height	84"
Cutout Depth**	25" (24 3/4")
Door Swing Clearance	26 11/16"
Door Swing	Reversible
Annual Energy Consumption	379.97 kWh
Electrical Supply	120V/15 Amp Circuit
Power Cord Included	120V 3-Wire
Shipping Weight (lbs.)	376

*Depth without door panel

**Minimum cutout depth for flush installation with 3/4" thick panel



Contributes 1 point toward satisfying the high-efficiency appliances credit under LEED®

T24IW800SP

PERFORMANCE

- Dual temperature and humidity wine preservation
- Isolated compressors for vibration reduction
- Dedicated compressor and evaporator
- Electronic controls for precise temperature management
- Tempered and UV-protective glass doors
- Full-extension dark exotic hardwood wine racks
- Carbon air filter reduces odors and keeps air clean and fresh
- Portable aluminum wine presenter
- Sabbath mode
- Economy mode
- Vacation mode
- Door open alarm

DESIGN

- Freedom® Hinge enables true flush design
- Full-height door – true cabinet integration without exposed venting grille
- All-LED interior lighting
- Accepts custom or stainless steel panels
- Reversible door swing

TEMPERATURE RANGES

Upper Zone	41°F (5°C) to 64°F (18°C)
Lower Zone	41°F (5°C) to 64°F (18°C)

ACCESSORIES

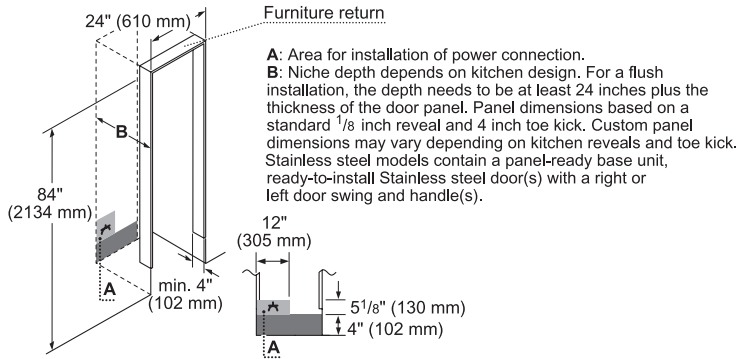
See page 245 for Freedom® Collection accessories.

TFL24IW800 24" Flat Stainless Steel Panel	PR36HNDL10 36" Professional Handle	FRAMEKIT10 Freedom® Frame Kit
TCH24IW800 24" Chiseled Stainless Steel Panel	MS36HNDL10 36" Masterpiece® Handle	HEATRKIT10 Freedom® Heater Kit

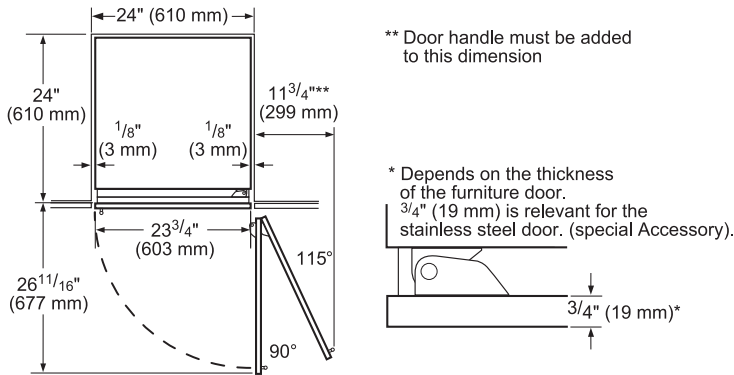
FREEDOM® COLLECTION 24-INCH CUSTOM WINE PRESERVATION COLUMN

T24IW800SP

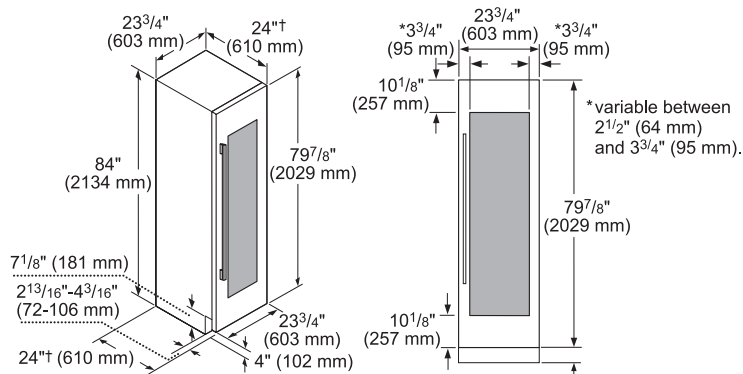
CUTOUT DIMENSIONS



TOP VIEW CLEARANCE



PANEL DIMENSIONS



All refrigerators are UL and CUL approved.